

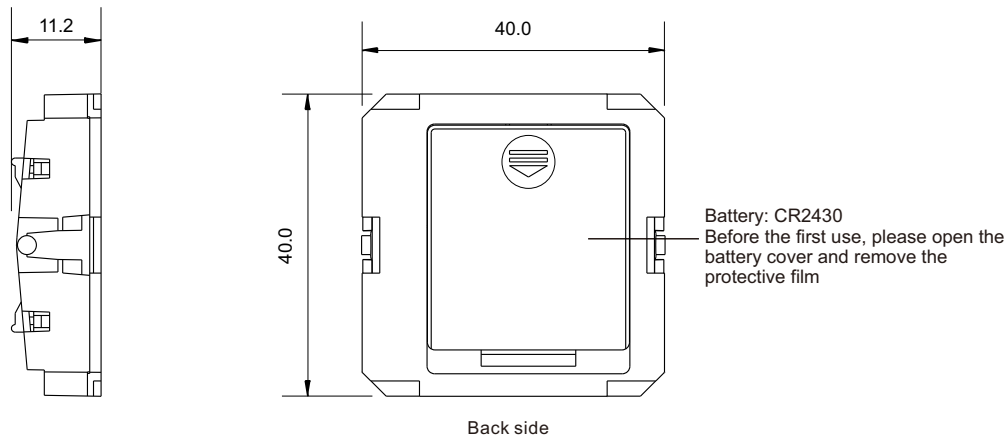
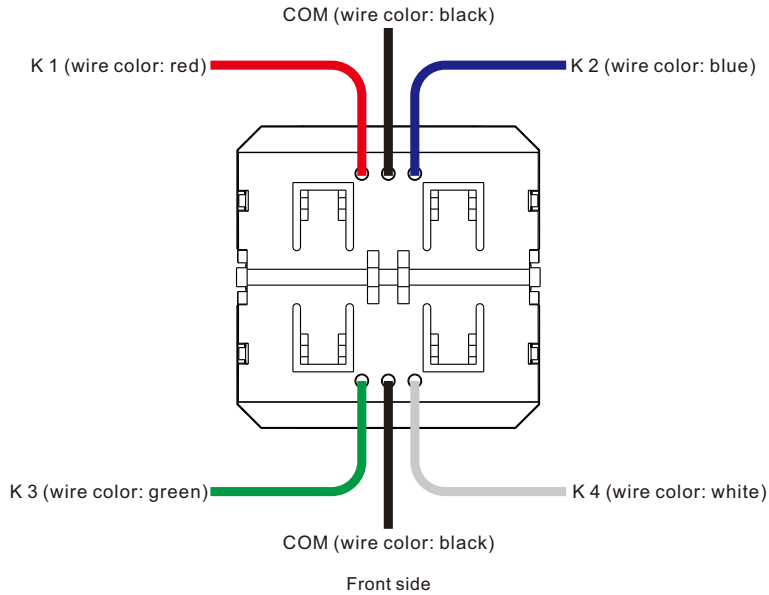
Battery Powered Configurable Zigbee GP Switch

70100041



Important: Read All Instructions Prior to Installation

Function introduction



Product Data

Switch Type	Configurable Zigbee GP Switch
Transmission Range	10-30m (typical)
Radio Frequency	2.4GHz
Power Supply	3V(1xCR2430 battery)
Buttons	4
Dimensions	40x40x11.2mm
Operating Temperature	-20 °C ~ +45°C
Working Humidity	10% ~ 95% RH non-condensing
Waterproof Grade	IP20
Warranty	5 years

Product Description

The Zigbee push-button coupler is a 4-channel push-button interface for simple wall/flush type box installation. You can continue to use existing switches, irrespective of the manufacturer. It is a wireless transmitter that communicates with compatible Zigbee hub. The coupler adopts a CR2430 battery to power a built-in transmitter. This transmitter sends wireless radio signals that are used to remotely control the compatible Zigbee system.

The switch can be configured through Zigbee App after added to the Zigbee hub. This switch has four buttons to trigger different actions of designated devices or zones with 3 events: short press, double click, long press. Action of each event and controlled object of each button can be configured through Zigbee App.

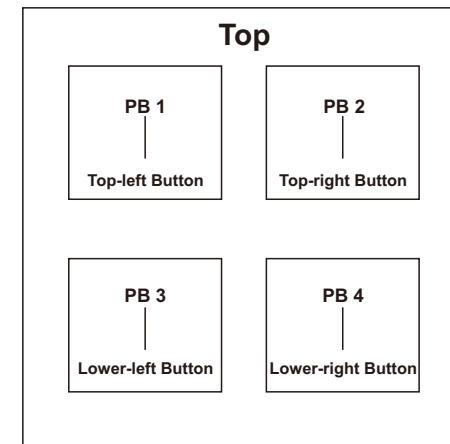
Safety & Warnings

- This device contains a button lithium battery that shall be stored and disposed properly.
- DO NOT expose the device to moisture.

Corresponding button position of the 4 push buttons while commissioning using Azoula Smart App

Push button wiring as follows:

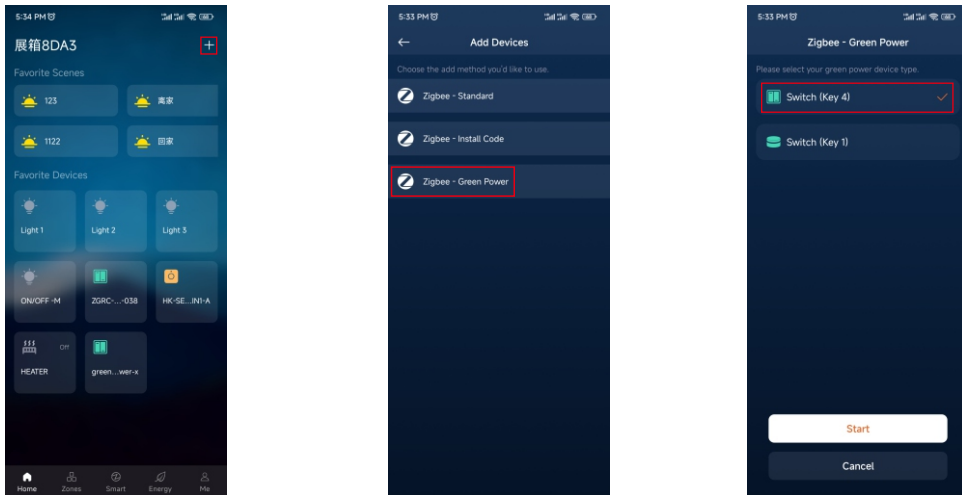
- Push Button 1 connecting to terminal K1
- Push Button 2 connecting to terminal K2
- Push Button 3 connecting to terminal K3
- Push Button 4 connecting to terminal K4



Operations

1. Add the Switch to a Compatible Zigbee Hub (For instance Azoula Smart Hub and Azoula Smart App)

Step 1: tap on "+" button on "Home" page, then tap on "Zigbee-Green Power" to add Green Power switch.

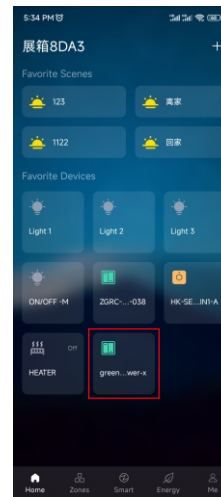


Step 2: tap on "Switch (Key 4)", then tap on "Start" button to add 4 key Green Power switch.

Step 3: Follow the instructions of the App to operate the switch and add it to the App.



Step 4: Once added successfully, tap on "Done" button to finish adding.

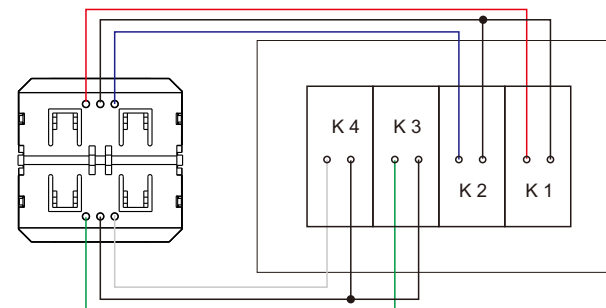


Step 5: The added switch will be shown on the "Home" Page.

2. Configure the switch through a Compatible Zigbee Hub (For instance Azoula Smart Hub and Azoula Smart App)

After the switch is added to the hub, navigate to "Smart" Page of the Azoula Smart App and you can use the switch to set "Automation". Please refer to the user manual of Azoula Smart Hub to learn how to set automation using green power switch.

Wiring diagram



Installation

The key part of this controller is a universal, extremely rotary standard switch element that can be integrated in numerous frames by different manufactures as below list:

BERKER	S1, B1, B3, B7 glass
GIRA	Standard55, E2, Event, Esprit
JUNG	A500, Aplus
MERTEN	M-smart, M-Arc, M-Plan