

# Shelly Plus Plug S User and Safety Guide

## Read before use

This document contains important technical and safety information about the device, its safety use and installation.

**⚠ ATTENTION!** Before beginning the installation, please read carefully and entirely this guide and any other documents accompanying the device. Failure to follow the installation procedures could lead to malfunction, danger to your health and life, violation of the law or refusal of legal and/or commercial guarantee (if any). Allterco Robotics EOOD is not responsible for any loss or damage in case of incorrect installation or improper operation of this device due to failure of following the user and safety instructions in this guide.

## Introduction to Shelly®

Shelly® is a line of innovative microprocessor-managed devices, which allow remote control of electric circuits through a mobile phone, tablet, PC, or home automation system. Shelly® devices can work standalone in a local Wi-Fi network, or they can be operated through cloud home automation services. Shelly Cloud is a service that can be accessed using either the Android or iOS mobile application, or with any internet browser at <https://home.shelly.cloud/>.

Shelly® devices can be accessed, controlled and monitored remotely from any place where the User has internet connectivity, as long as the devices are connected to a Wi-Fi router and the Internet.

When connected directly to the device's access point, or at the device's IP address on the local Wi-Fi network, the User can access the Shelly® device's embedded Web Interface at <http://192.168.33.1>. The embedded Web Interface can be used to monitor and control the device, as well as adjust its settings.

Shelly® devices can communicate directly with other Wi-Fi devices through HTTP protocol. An API is provided by Allterco Robotics EOOD. For more information, please visit: <https://shelly-api-docs.shelly.cloud/#shelly-family-overview>.

Shelly® devices are delivered with factory-installed firmware. If firmware updates are necessary to keep the devices in conformity, including security updates, Allterco Robotics EOOD will provide the updates free of charge through the device embedded Web Interface or Shelly Mobile Application, where the information about the current firmware version is available. The choice to install or not the Device firmware updates is the User's sole responsibility. Allterco Robotics EOOD shall not be liable for any lack of conformity of the Device caused by failure of the User to install the provided updates in a timely manner.

## Short Description

Shelly Plus Plug S (the Device) by Allterco Robotics EOOD is a smart plug suitable for controlling electrical household appliances by measuring their power consumption. It can be plugged into CEE 7/1, CEE 7/3 (Type F / Schuko) or CEE 7/5 (Type E) sockets and accepts CEE 7/2, CEE 7/4 (Type F / Schuko), CEE 7/7, CEE 7/16 (Type C) or CEE 7/17 plugs.

[Learn more about Shelly Plus Plug S and its specifications](#)

## Installation

**⚠ CAUTION!** The Device is intended for indoor use only!

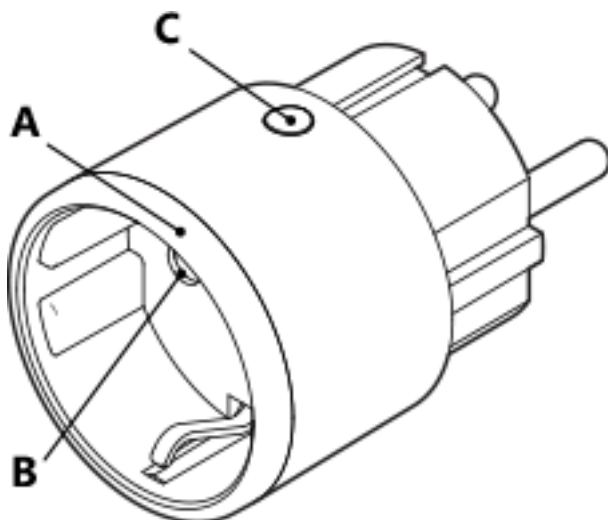
**⚠ CAUTION!** Protect the Device from dirt and moisture!

**⚠ CAUTION!** Do not use the Device in a damp environment!

**⚠ CAUTION!** Use the Device only with power grid and appliances which comply with all applicable regulations. Short circuit in the power grid or any appliance connected to the Device may damage it.

**⚠ CAUTION!** Do not connect the Device to appliances exceeding the given max load!

**⚠ CAUTION!** Do not allow children to play with the Power button. Keep the devices for remote control of Shelly (mobile phones, tablets, PCs) away from Children.



Insert Shelly Plus Plug S into a power socket without an appliance/load connected to it.

The LED indication ring (A) will start flashing with a blue light, indicating the Device is in Access Point (AP) mode. You can access the embedded web interface

at <http://192.168.33.1> in the Wi-Fi network, created by the Device (ShellyPlusPlugS-XXXXXXXXXXXX) and use it to control the Device and change its settings.

You can now plug an appliance into the Device socket (**B**).

To turn the appliance on, press briefly the control button (**C**). The LED indication ring will illuminate. The light color depends on the load (check LED indication below).

Press the control button again to turn the appliance off. The LED indication will return to its previous status.

## Initial Inclusion

If you choose to use the Device with the Shelly Cloud mobile application and Shelly Cloud service, instructions on how to connect the Device to the Cloud and control it through the Shelly App can be found in the [Shelly Application Guide](#).

The Shelly Mobile Application and Shelly Cloud service are not conditions for the Device to function properly. This Device can be used stand-alone or with various other home automation platforms and protocols.

**⚠ CAUTION!** Do not allow children to play with the buttons/switches connected to the Device. Keep the devices for remote control of Shelly (mobile phones, tablets, PCs) away from children!

### LED indication

- When plugged for the first time:
  - Blue light flashing, indicating AP mode.
- When plugged/powered again after being successfully connected to a Wi-Fi network:
  - Red light flashing, indicating the the Device is reconnecting to the Wi-Fi network.
  - Constant red light, indicating that the Device cannot reconnect to the Wi-Fi network.
- When output is On:
  - Power consumption represented by a smooth color change (Default):
    - Green light at 0% of power limit set
    - Yellow light at 50% of power limit set
    - Red light at 100% of power limit setUser can select the brightness (Default brightness - 100%).
  - Custom color (Default color - Green, Default brightness - 100%)
  - Off
- When output is Off:
  - Off (Default):
  - Custom color (Default color - Red, Default brightness - 100%)

### Control button

- Press to turn On/Off the output.

- Press and hold 3 sec to check status (Possible only when the output in Off).
- Press and hold 5 sec to reboot (Possible up to 60 sec after plugging the Device).
- Press and hold 10 sec to factory reset (Possible up to 60 sec after plugging the Device).

## Cleaning

**⚠CAUTION!** Before cleaning the Device power off the connected appliance by pressing the Power button, unplug it and then unplug the device itself. Never clean the device if it is connected to the mains! Use a wet soft cloth to clean the Device.

**⚠CAUTION!** Do not use aggressive detergents.

**⚠CAUTION!** Do not immerse the Device or wash it under running water!

## Disposal & Recycling

This refers to the waste of electrical and electronic equipment. It is applicable in the EU and other countries to collect waste separately.



This symbol on the product or in the accompanying literature indicating that the product should not be disposed of in the daily waste. Shelly Plus Plug S must be recycled to avoid possible damage to the environment or human health from uncontrolled waste disposal and to promote the reuse of materials and resources. It is your responsibility to dispose of the device separately from general household waste it is already unusable.