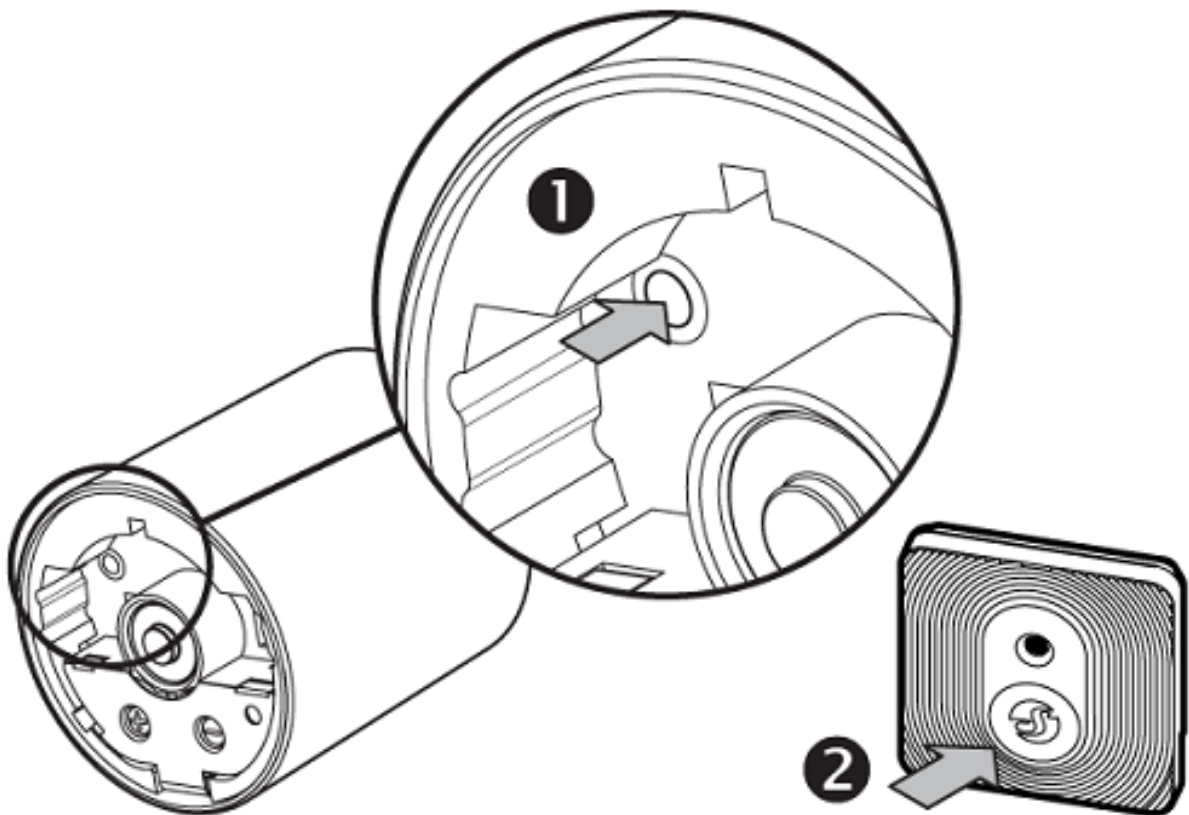


How to pair Shelly BLU TRV with Shelly BLU H&T sensor

(Hoe Koppel je de Shelly BLU H&T sensor met de Shelly BLU TRV)



Before you start, make sure the Shelly BLU TRV is already paired with the Shelly BLU Gateway Gen3.

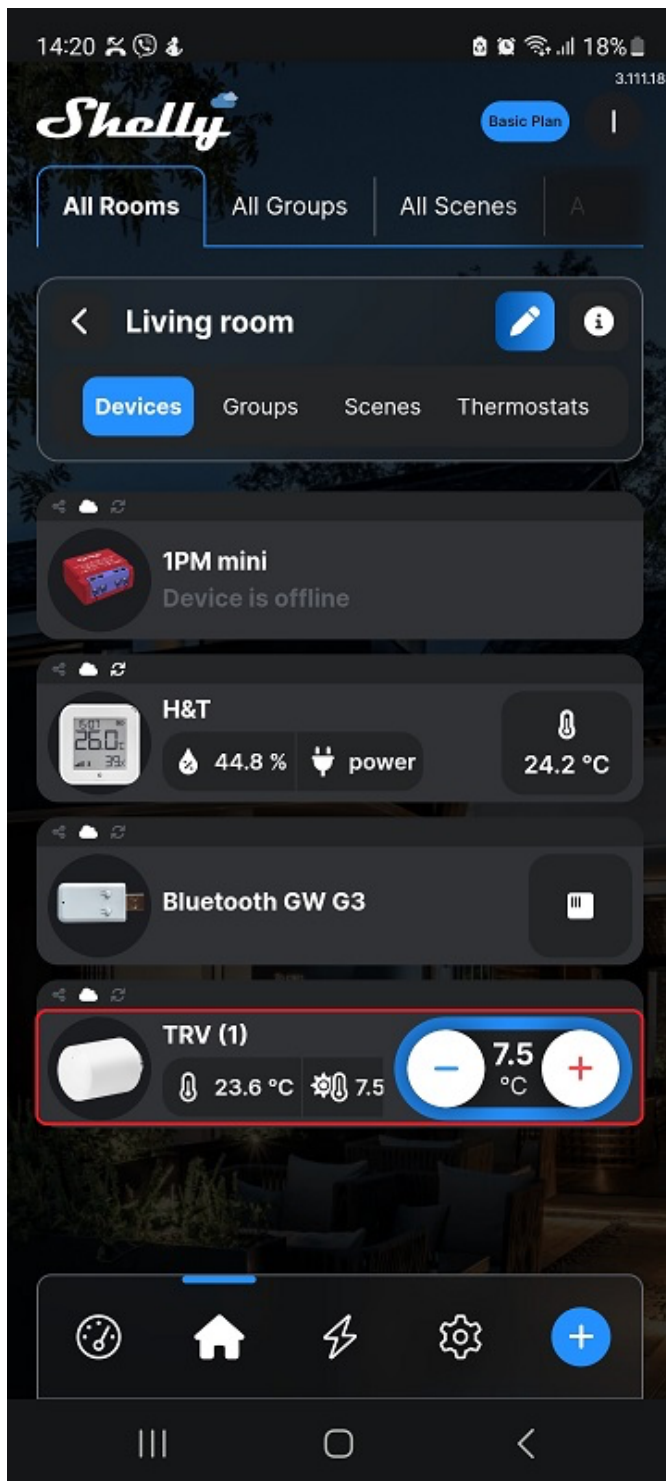
1. Press the **Reset** button on the Shelly BLU TRV. The display begins to flash **BLE**, indicating it is in pairing mode.
2. Press and hold the **Reset** button on the Shelly BLU H&T sensor for more than 10 seconds.

If pairing is successful, within maximum a minute, the Shelly BLU TRV display shows flashing confirmation **YES**

If pairing is not successful, the display shows **NO**

To complete the process, bring the sensor closer to the Shelly Gateway Gen3, and then repeat steps 1 and 2.

3. To find the attached sensor in Shelly Smart Control, open the application and select Shelly BLU TRV from the device list.



4. From the left-side menu, select **Sensor settings** icon. The sensors are listed under the **Attached sensors** option.



-
-
-
-
-
-

TRV (1)



Sensor settings

> Temperature offset

Attached Sensors

Attached temperature sensors

Sensor (203)

23.6 °C 49 % 100 %

Attached door/window sensors

Sensor (201)

Waiting for data Waiting for da