

Z-Wave® small form factor smart power meter

The smallest Z-Wave power meter in the world for precise power monitoring. It allows monitoring of electrical appliances' (up to 16 A) power consumption from anywhere, enabling effective energy usage optimization. Thanks to its compact retrofit design, Wave PM Mini is small enough to fit into even the most tightly packed spaces and electrical wall boxes.

ADVANTAGES

- Supports up to 16 A at 240 V AC
- Power metering
- Extremely low power consumption: less than 0.3 W
- Z-Wave frequency band: 868.4 MHz (CEPT countries)
- Latest technology: Z-Wave 800 Series
- Automatic set-up with SmartStart
- Security 2 Authenticated for the highest level of security
- Supports over-the-air firmware updates
- Fast and simple installation in most electrical boxes and switches
- Works with **Z-Wave certified hubs** and **over 4000 Z-Wave devices**.

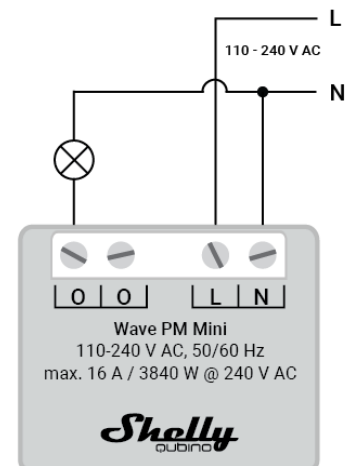


TECHNICAL SPECIFICATIONS

Power supply	110 - 240 V AC, 50/60 Hz
Power consumption	< 0,3 W
Power measurement (W)	Yes
External protection	16 A, tripping characteristic B or C 6 kA interrupting rating Energy limiting class 3
Max. measurement power	3840 W
Max measurement current	16 A
Overheating protection	Yes
Distance	Up to 40 m indoors (131 ft.) (depends on local condition)
Z-Wave® repeater	Yes
CPU	Z-Wave® S800
Z-Wave® frequency bands	868,4 MHz
Maximum radio frequency power transmitted in frequency band(s)	< 25 mW
Size (H x W x D)	29x35x16 ±0.5 mm / 1.11x1.35x0.63 ±0.02 in
Weight	13 ±1 g / 0.46 ±0.04 oz
Mounting	Wall box
Screw terminals max. torque	0.4 Nm / 3.54 lbin
Conductor cross section	0.5 to 1.5 mm ² / 20 to 16 AWG
Conductor stripped length	5 to 6 mm / 0.20 to 0.24 in
Shell material	Plastic
Color	Light grey
Ambient temperature	-20°C to 40°C / -5°F to 105°F
Humidity	30% to 70% RH
Max. altitude	2000 m / 6562 ft.

WIRING DIAGRAMS

110-240 V AC



LEGEND

Device terminals:

N: Neutral terminal

L: Live terminal (110-240 V AC)

O: Load circuit output terminal (bridged internally)

Wires:

N: Neutral wire

L: Live wire (110-240 V AC)