

# DreameTech Robot Vacuum D9 NA Version User Manual

Read this manual carefully before use and retain it for future reference.

**dreametech**

EN	DreameTech Robot Vacuum D9 NA Version User Manual	1
FR	Manuel d'utilisation du Robot aspirateur DreameTech D9 version NA	21
ES	Manual de Usuario de Robot Aspirador DreameTech D9 Versión NA	41

## Safety Information

# IMPORTANT SAFETY INSTRUCTIONS

When using an electrical appliance, basic precautions should always be followed, including the following:

READ ALL INSTRUCTIONS BEFORE USING (THIS APPLIANCE), Failure to follow the warnings and instructions may result in electric shock, fire and/or serious injury.

## SAVE THESE INSTRUCTIONS

Household use only.

**WARNING** – To reduce the risk of fire, electric shock, or injury:

- Do not use outdoors or on wet surfaces.
- Do not allow to be used as a toy. Close attention is necessary when used by or near children, pets or plants.
- Use only as described in this manual. Use only manufacturer's recommended attachments
- Do not use with damaged cord or plug. If appliance is not working as it should, has been dropped, damaged, left outdoors, or dropped into water, return it to a service center.
- Do not pull or carry by cord, use cord as a handle, close a door on cord, or pull cord around sharp edges or corners. Do not run appliance over cord. Keep cord away from heated surfaces.
- Do not unplug by pulling on cord. To unplug, grasp the plug, not the cord.
- Do not handle charger, including charger plug, and charger terminals with wet hands.
- Do not put any object into openings. Do not use with any opening blocked; keep free of dust, lint, hair, and anything that may reduce air flow.
- Keep hair, loose clothing, fingers, and all parts of body away from openings and moving parts.
- Do not use to pick up flammable or combustible liquids, such as gasoline, or use in areas where they may be present.
- Do not pick up anything that is burning or smoking, such as cigarettes, matches, or hot ashes.
- Do not use without dust bag.
- Prevent unintentional starting. Ensure the switch is in the off-position before connecting to battery pack, picking up or carrying the appliance. Carrying the appliance with your finger on the switch or energizing appliance that have the switch on invites accidents.
- Do not use and store in extremely hot or cold environments (below 0°C/ 32 °F or above 40°C/104 °F). Please charge the robot in temperature above 0°C/ 32 °F and below 40°C/104 °F.

## Safety Information

- Recharge only with the charger specified by the manufacturer. A charger that is suitable for one type of battery pack may create a risk of fire when used with another battery pack.
- Use appliances only with specifically designated battery packs. Use of any other battery packs may create a risk of injury and fire.
- When battery pack is not in use, keep it away from other metal objects, like paper clips, coins, keys, nails, screws or other small metal objects, that can make a connection from one terminal to another. Shorting the battery terminals together may cause burns or a fire.
- Under abusive conditions, liquid may be ejected from the battery; avoid contact. If contact accidentally occurs, flush with water. If liquid contacts eyes, additionally seek medical help. Liquid ejected from the battery may cause irritation or burns.
- Do not use a battery pack or appliance that is damaged or modified. Damaged or modified batteries may exhibit unpredictable behavior resulting in fire, explosion or risk of injury.
- Do not expose a battery pack or appliance to fire or excessive temperature. Exposure to fire or temperature above 130°C may cause explosion.
- Follow all charging instructions and do not charge the battery pack or appliance outside of the temperature range specified in the instructions. Charging improperly or at temperatures outside of the specified range may damage the battery and increase the risk of fire.
- Have servicing performed by a qualified repair person using only identical replacement parts. This will ensure that the safety of the product is maintained.
- Do not modify or attempt to repair the appliance or the battery pack except as indicated in the instructions for use and care.
- Place the cords from other appliances out of the area to be cleaned.
- Do not operate the vacuum in a room where an infant or child is sleeping.
- Do not operate the vacuum in an area where there are lit candles or fragile objects on the floor to be cleaned.
- Do not operate the vacuum in a room that has lit candles on furniture that the vacuum may accidentally hit or bump into.
- Do not allow children to sit on the vacuum.
- Do not use the vacuum on a wet surface.
- Use only with RCS0 supply unit.

## Safety Information

### Caution:

This device complies with Part 15 of the FCC Rules / Innovation, Science and Economic Development Canada's licence-exempt RSS(s). Operation is subject to the following two conditions: (1) this device may not cause harmful interference. (2) this device must accept any interference received, including interference that may cause undesired operation.

Changes or modifications not expressly approved by the party responsible for compliance could void the user's authority to operate the equipment.

This equipment has been tested and found to comply with the limits for a Class B digital device, pursuant to part 15 of the FCC Rules. These limits are designed to provide reasonable protection against harmful interference in a residential installation. This equipment generates uses and can radiate radio frequency energy and, if not installed and used in accordance with the instructions, may cause harmful interference to radio communications. However, there is no guarantee that interference will not occur in a particular installation. If this equipment does cause harmful interference to radio or television reception, which can be determined by turning the equipment off and on, the user is encouraged to try to correct the interference by one or more of the following

measures:

- Reorient or relocate the receiving antenna.
- Increase the separation between the equipment and receiver.
- Connect the equipment into an outlet on a circuit different from that to which the receiver is connected.
- Consult the dealer or an experienced radio/TV technician for help.

### MPE Reminding

To satisfy FCC / IC RF exposure requirements, a separation distance of 20 cm or more should be maintained between the antenna of this device and persons during device operation.

To ensure compliance, operations at closer than this distance is not recommended.

To disable Wi-Fi module on robot, power the robot ON. Place the robot on the Charging Dock.

Ensure the Charging Contacts on robot and the Charging Dock Pins make a connection.

Press and hold the Dock Button on the robot for 20 seconds until the Wi-Fi module is turned off.

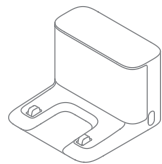
When the Wi-Fi module is turned off, press any button on the robot to turn the Wi-Fi module on .

---	Direct current
~	Alternating current

This Device Complies with DHHS Radiation Rules, 21CFR Chapter 1, Subchapter J.

# Product Overview

## Accessories



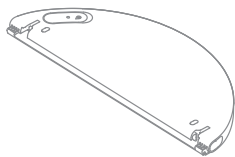
Charging Dock



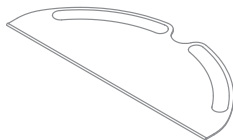
Cleaning Tool



Power Cord



Water Tank



Mop Pad

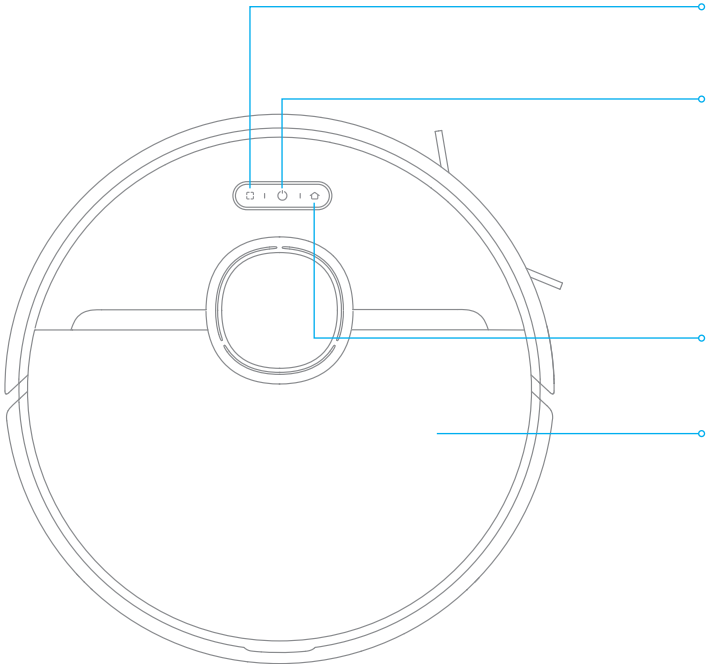


Side Brush

**Note:** The illustrations in this manual are for reference only. Please refer to the actual product for the actual appearance.

# Product Overview

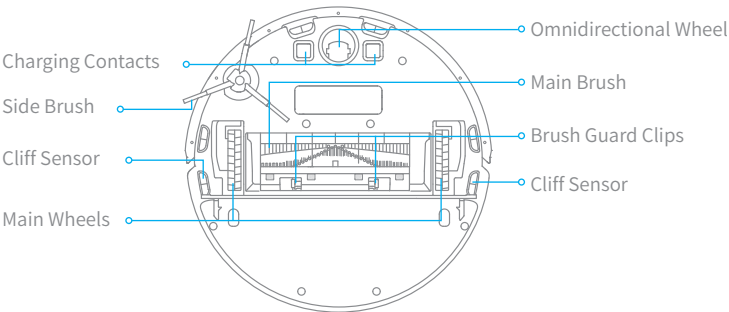
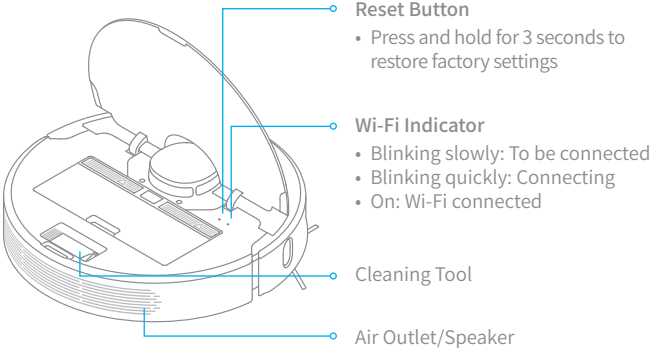
## Robot



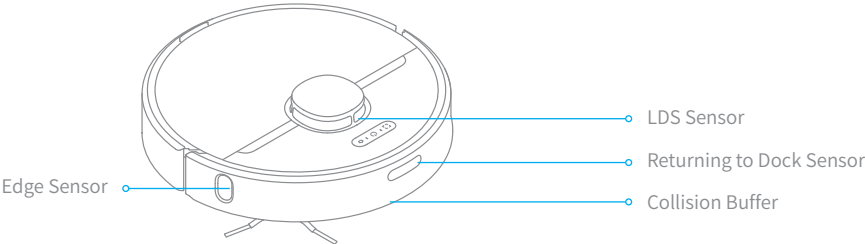
- Spot Clean Button**
  - Press briefly to start Spot Clean Mode
- Power/Clean Button**
  - Press and hold for 3 seconds
  - Press to start cleaning after the robot is powered on
- Status Indicator**
  - White: Cleaning, or cleanup is completed
  - Blinking orange: Error
- Dock Button**
  - Press to send robot back to charging dock
- Cover**

# Product Overview

## Robot



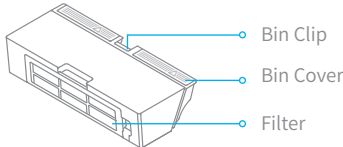
## Robot Sensors



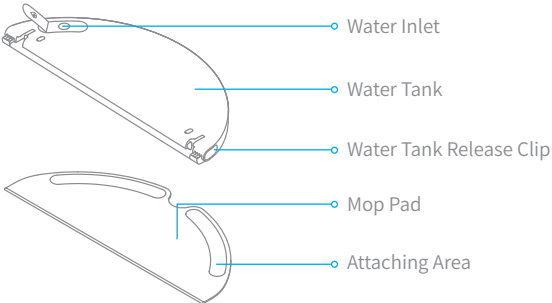


# Product Overview

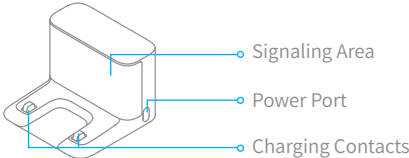
## Dust Bin



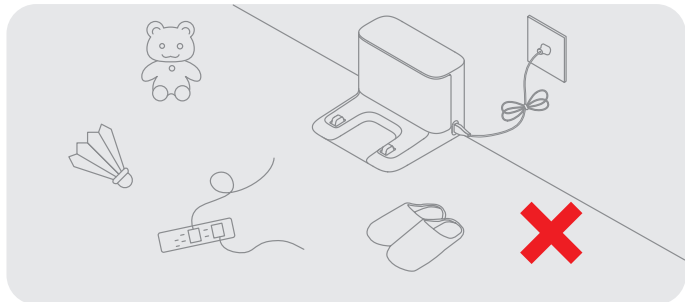
## Mopping Module



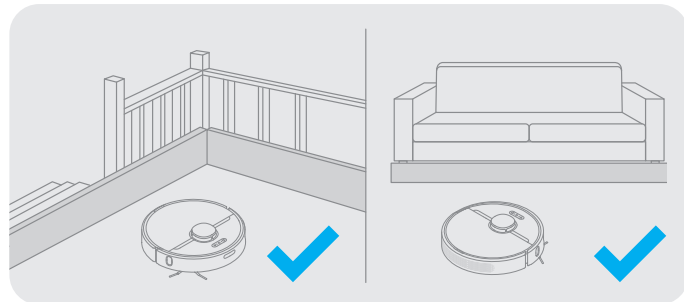
## Charging Dock



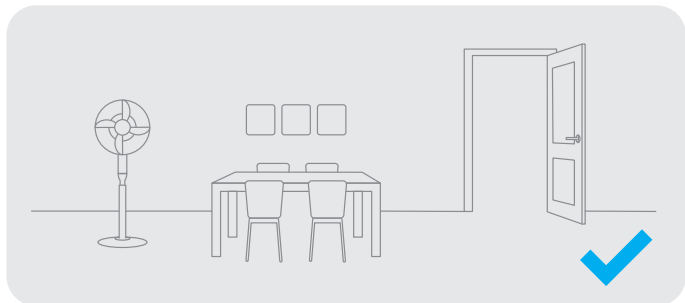
## Clearing Home Environment



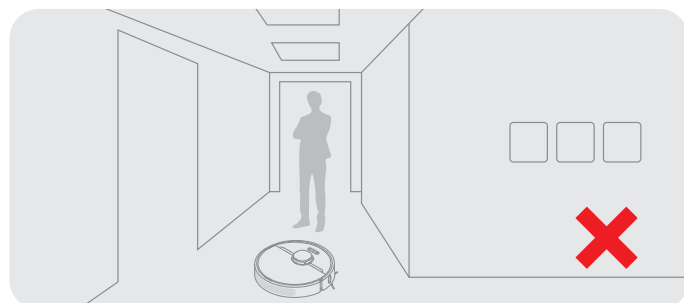
To prevent your robot from getting tangled or trapped, tidy up any loose cord (including power cord of charging dock), dishcloth, slipper, toy, etc.



Before cleaning, use physical barrier at the edge of stairs and sofa to prevent your robot from getting trapped or tumbling down.



Open the door of the room to be cleaned, and put the furniture into proper place to make more space.

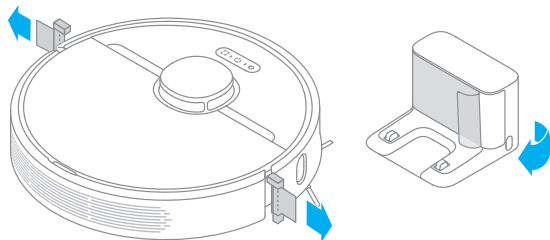


To prevent the robot from not recognizing the area to be cleaned, do not stand in the front of robot, threshold, hall way or narrow places.

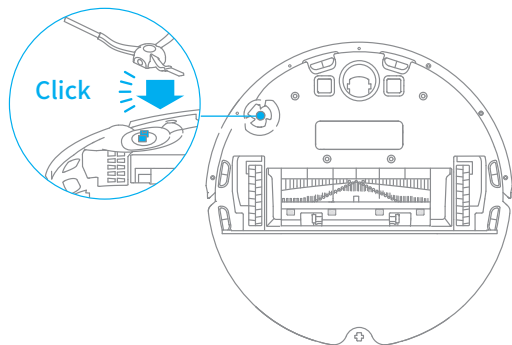
## Preparation

### 1. Remove the protective film

Remove the protective films on the side of collision buffer and charging dock.

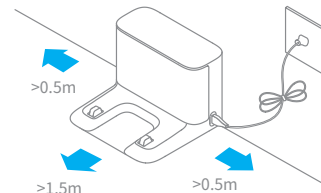


### 2. Install the side brush



Note: Install the side brush until it clicks into place.

### 3. Place the charging dock on the level ground against wall and connect to a power outlet



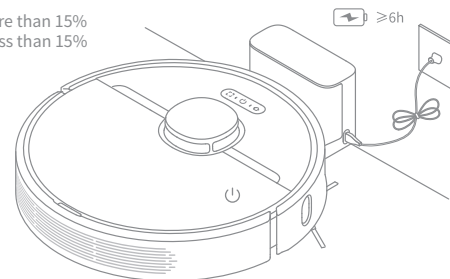
Note:

- Make sure there is a distance of 0.5 meters or more on either side of the charging dock, and more than 1.5 meters in front of it.
- Tidy up any loose cord which could accidentally move or unplug the charging dock.
- To ensure you can well connect to the robot with your phone, make sure the robot and charging dock are in the range of Wi-Fi.
- Do not place the charging dock in an area with direct sunlight or where other objects could block its signaling area, as this may hinder the robot from returning to the charging dock.

### 4. Place the robot onto the charging dock to recharge. The robot will turn on automatically and charge

 Battery Level Indicator

- White: Battery level is more than 15%
- Orange: Battery level is less than 15%



Note:

- Fully charge before first use.
- Don't install the mopping module while charging. Ensure the charging is in a safe environment to prevent floor damage caused by wet dishcloth.

# Connecting with Mi Home/Xiaomi Home App

This product works with Mi Home/Xiaomi Home app\*.

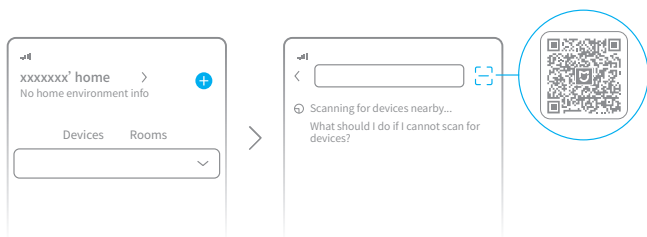
## 1. Download Mi Home/Xiaomi Home App

Scan the QR code to download and install the app. You will be directed to the connection setup page if the app is installed already. Or search "Mi Home/Xiaomi Home" in the App Store to download and install it.



## 2. Add Device



Open Mi Home / Xiaomi Home app, and tap "+" on the upper right. Then tap top right corner "🔍", scan the QR code, add "Dreame Robot Vacuum D9" and follow prompts to finish the connection.

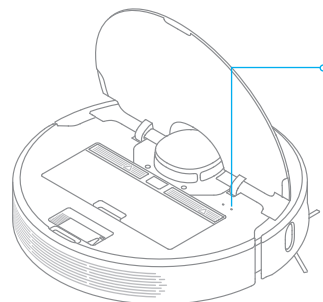


### Note:

- Only 2.4GHz Wi-Fi is supported.
- The version of the app might have been updated. please follow the instructions based on the current app version.

## 3. Reset Wi-Fi

Simultaneously press and hold the buttons  and  until you hear a voice saying "Waiting for the network configuration". Once the Wi-Fi indicator is slowly blinking, the Wi-Fi has been successfully reset.





### Wi-Fi Indicator

- Blinking slowly: To be connected
- Blinking quickly: Connecting
- On: Wi-Fi connected


Note: When your phone does not connect to the robot successfully, reset the Wi-Fi and add the device again.

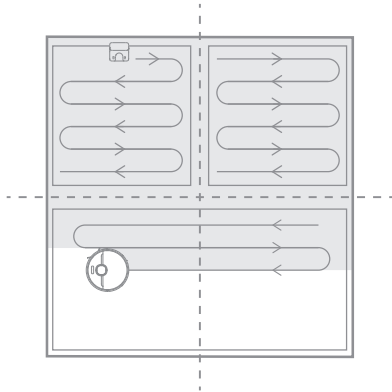
# How to Use

## 1. Turn On/Off

Press and hold the button  for 3 seconds to turn on the robot. Once the power indicator turns solid white, the robot is in standby mode. To turn off the robot, press and hold the button  for 3 seconds while the robot is stationary. Turning off the robot will end the current cleaning task.

## 2. Start Cleaning

Press the button  briefly to turn on the robot. Upon activation, the robot will accurately map out routes, and then methodically clean each room in a way that it firstly cleans along edges and walls and then cleans floors in an S-shape pattern to ensure a thorough job.



## 3. Cleaning Mode

Four cleaning modes are available in the Mi Home/Xiaomi Home app: Quiet, Standard, Strong and Turbo. The default mode is Standard.

## 4. Pausing/Sleep Mode

**Pausing:** Press any button to pause the robot during cleaning.

**Sleep Mode:** The robot will automatically enter sleep mode after 10 minutes of inactivity, then the power and charging indicators will go off. To wake up the robot, press any button.

**Note:**

- The robot will turn off automatically in the sleep mode more than two hours.
- When the robot is paused, placing it onto the charging dock will end the current cleaning task.

## 5. Do Not Disturb Mode


You can enable Do Not Disturb or modify its hours in the app. (The mode is opened by default from 22:00 to 08:00.)

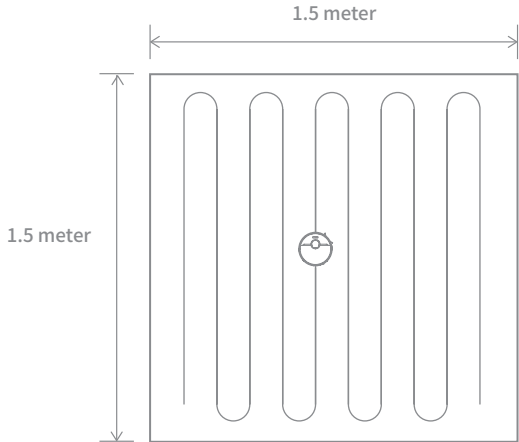
**Note:**

- Scheduled cleanups will still be carried out during the DND period.

## How to Use

### 6. Spot Clean mode

When the robot is in standby mode or paused, press and hold the button  for 3 seconds to start Spot Clean mode. In this mode, it will clean a square-shaped area of  $1.5 \times 1.5$  meters directly around the robot. When the spot cleaning is done, the robot will automatically return to its original location and shut off.



**Note:** Activating Spot Clean mode will end the current cleaning task of the robot.

### 7. Scheduled Cleaning

You can schedule cleaning time in the Mi Home/Xiaomi Home app. The robot will automatically start cleaning at the designated time and then return to the charging dock to recharge when the cleaning is done.

### 8. More APP Functions

The app can be used to set up advanced functions such as selected room cleaning, zone cleaning, forbidden area / virtual wall, etc.

**Note:**

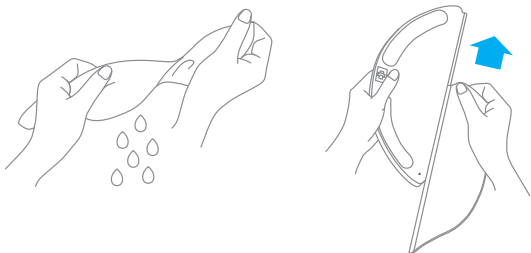
- Follow the instructions on the APP interface to use more functions.
- The version of the app might have been updated, and please follow the instructions based on the current app version.

# How to Use

## 9. Use the Mopping Function

It is recommended that all floors are vacuumed at least three times before the first mopping session to achieve better cleaning effect.


1) Dampen the mop pad and wring out excess water. Slide the pad all the way into the slot of the water tank until it is securely in place.

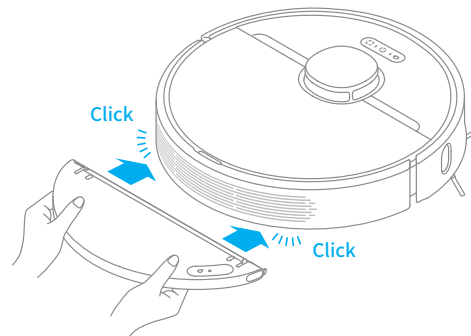


2) Open the water tank lid, fill the tank with water, then securely close the lid.



**Note:** Do not use non-designated detergents or disinfectants.

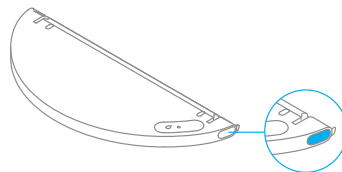
3) Align the mopping module as indicated by the arrow, then slide it into the back of the robot until it clicks into place. Press the button  or use Mi Home/Xiaomi Home app to start cleaning.



**Note:**

- It is not recommended to use the mopping function on the carpets.
- Use the app to adjust the water flow as required.

4) Press the two side clips inwards and slide the water tank backwards to separate it from the robot.

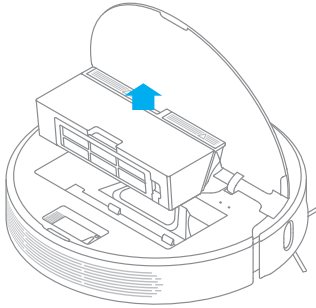


**Note:** When the robot is charging or not in use, remove the mopping module, pour out all remaining water in the tank, and clean the mop pad to prevent mildew or lingering odors.

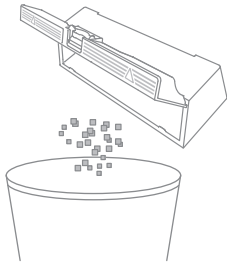
# Routine Maintenance

## Clean the Dust Bin and Filter

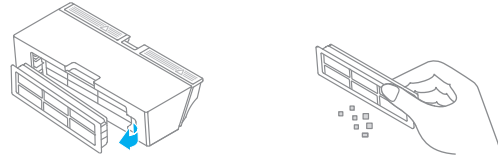
1. Open the robot cover, then press the dust bin clip to remove the dust bin.



2. Open the dust bin cover as indicated by the diagram.

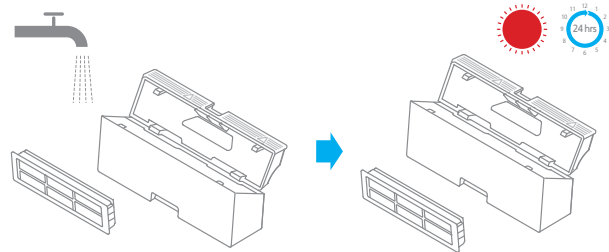


3. Remove the filter and tap it basket gently.



Note: Do not attempt to clean the filter with a brush or finger.

4. Rinse the dust bin and filter with water until it is clean. Thoroughly dry the filter before re-installing.



Note:

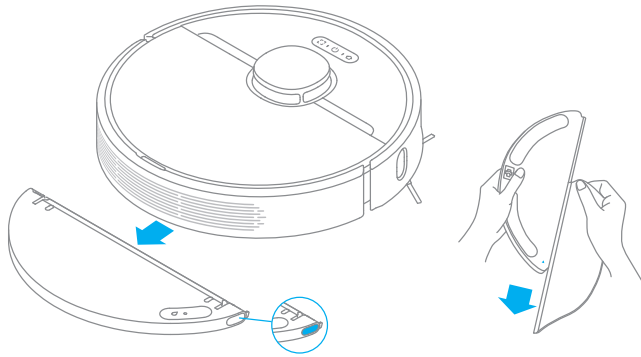
- Only clean water should be used to clean the filter. Do not use detergent.
- Keep it in a well-ventilated or cool place for at least 24 hours.



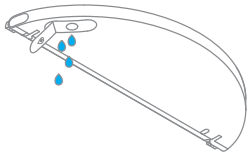
# Routine Maintenance

## Clean the Mopping Module

1. Press the two release clips on the side of water tank, remove the mopping module and pull the mop pad off the mopping module.

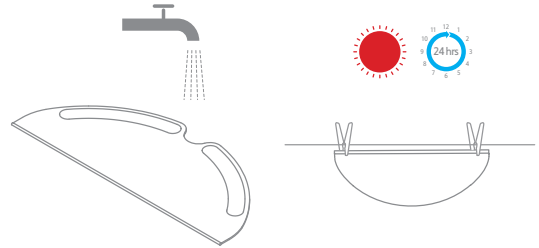


2. Pour out the water in the tank. Clean with water only and leave to air dry before re-installing.



Note: Do not expose the tank to the sun directly.

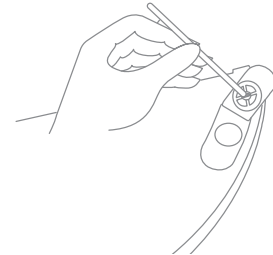
3. Clean the mop pad with water only and leave to air dry before re-installing.



**Note:**

- Remove the pad from the mopping module before cleaning it, and make sure dirty water does not flow back into the water outlet to avoid clogging.
- For optimal performance, it is recommended to replace the mop pad every 3 to 6 months.

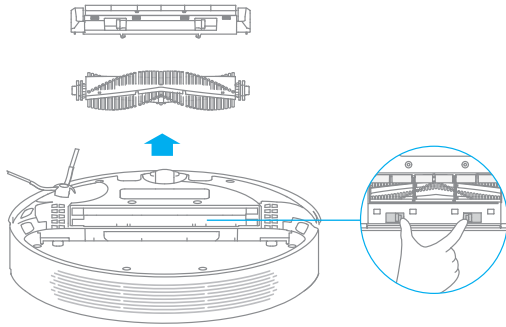
4. If slow water flow occurs, or the volume is not well-distributed, please clean the air hole in the cover of the water tank.



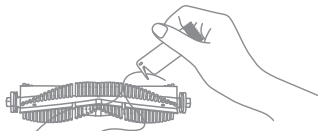
## Routine Maintenance

### Clean the Main Brush

Press the brush guard clips inwards to remove the brush guard and lift the brush out of the robot.



Use the included brush cleaning tool to remove any hairs tangled on the brush.



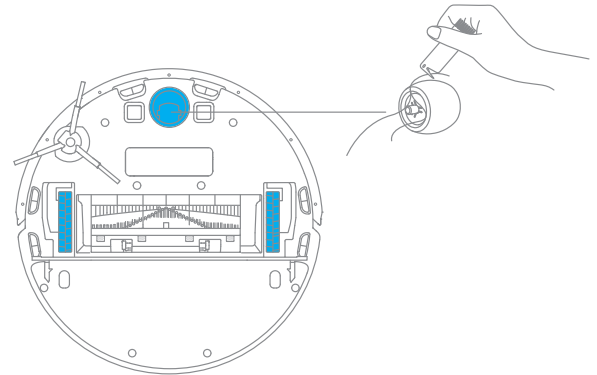
**Note:** Do not pull out the hair excessively to avoid the damage of Main Brush when the hair is tightly tangled on the Main Brush.

### Clean the Side Brush

Pull out the side brushes and use the included cleaning tool to remove any hair tangled on the brush.



### Clean the Main Wheel / Omnidirectional Wheel

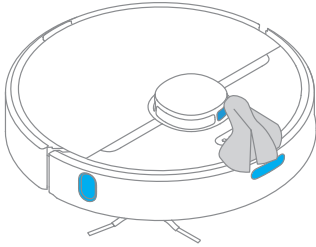


**Note:** Use tools such as a small screwdriver, etc. to separate the axle and the tire.



## Routine Maintenance

**Note:** Please use dry dishcloth for cleaning, as the robot and inner charging dock include sensitive elements. Do not use wet dishcloth to prevent damage caused by water.

### Clean the LDS Sensor / Returning to Charge Sensor/Edge Sensor



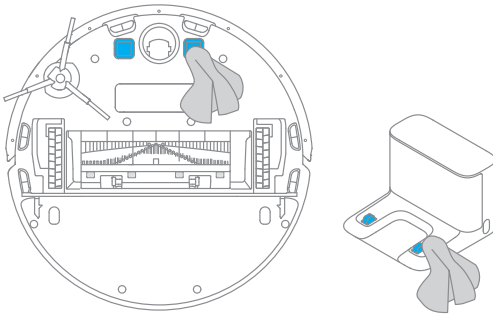
### Robot Restarting

If the robot stops responding or cannot be turned off, press and hold down the button  for 6 seconds to forcefully turn it off. Then press and hold the button  for 3 seconds to turn the robot on.

### Battery

The robot contains a high-performance lithium-ion battery pack. Please ensure that it remains well-charged during daily use to maintain optimal battery performance. If the robot is not used for an extended period, turn it off and put it away. To prevent damage from over-discharging, the robot should be recharged at least once every three months.

### Clean the Charging Contact



Problem Type	Solution
Robot does not turn on	Battery level is low. Recharge the robot at the charging dock, then try again. The ambient temperature is too low (below 0°C) or too high (above 40°C). The operating temperature of the robot is 0°C to 40°C.
Robot does not recharge	The charging dock is not receiving power. Please confirm that both ends of the power cord are plugged in correctly. Poor contact. Clean the charging contacts of the charging dock and the robot.
Robot does not return to charging dock	There are too many obstructions around the charging dock. Place the charging dock in a more open area. Please clean the dock's signaling area.
Robot is malfunctioning	Turn off the robot and then reactivate it.
Robot makes a strange noise	A foreign object might be caught in the main brush, side brush, or one of the main wheels. Stop the robot and remove any debris.
Robot no longer cleans efficiently or leaves dust behind	The dust bin is full. Please clean it. The filter is blocked. Please clean it. A foreign object is caught in the main brush. Please clean it.
Robot cannot connect to Wi-Fi	There is something wrong with the Wi-Fi connection. Reset the Wi-Fi and download the latest version of the Mi Home/Xiaomi Home app, then try reconnecting. Location permission is not opened. Please ensure the location permission on the Mi Home/Xiaomi Home app is opened. Wi-Fi signal is weak. Make sure the robot is in an area with good Wi-Fi coverage. 5GHz Wi-Fi is not supported. Please ensure your robot connects to 2.4GHz Wi-Fi. The user name or password of Wi-Fi is incorrect. Please ensure enter correct user name and password.
Robot does not perform scheduled cleaning	Robot has low battery. Scheduled cleaning will start after charging.

## FAQ

Problem Type	Solution
Does leaving the robot on the charging dock consume power if it's already charged?	Leaving the robot on the charging dock after it's fully charged consumes very little electricity and helps maintain optimal battery performance.
Does the robot need to be fully charged for 16 hours the first three times it is used?	Lithium batteries do not suffer from memory effects, so it is not necessary to wait 16 hours after fully charging the robot before using it.
No water comes out of the mopping module, or only a little bit comes out	Confirm that the water tank is filled with water, and clean the mop pad if necessary. Clean the mop if it becomes dirty. Make sure the mop pad is installed correctly according to the user manual. Clean the blowhole on the water tank.
Robot doesn't return to charging dock after being moved	Moving the robot may cause it to re-position itself or re-map its surroundings. If the robot is too far from the charging dock, it might not be able to automatically return on its own, in which case you need to manually place the robot onto the charging dock.

# Specifications

## Robot

Model	RLS5-WH1
Battery	5200 mAh(Battery Nominal Capacity)
Wireless Connectivity	Wi-Fi IEEE 802.11b/g/n 2.4 GHz
Rated Voltage	14.4 V ---
Rated Power	40 W
Operation Frequency	2400-2483.5 MHz
Maximum Output Power	<20 dBm

## Charging Dock

Model	RCS0
Rated Input	100-240 V ~ 50/60 Hz 0.5 A
Rated Output	19.8 V --- 1 A

Under normal use of condition, this equipment should be kept a separation distance of at least 20cm between the antenna and the body of the user.

## Informations sur la sécurité

# IMPORTANTES MESURES DE SÉCURITÉ

L'utilisation d'un appareil électrique demande certaines précautions:

LIRE TOUTES LES INSTRUCTIONS AVANT DE FAIRE FONCTIONNER (CETAPPAREIL), Le non-respect des mises en garde et des instructions peut causer des chocs électriques, des incendies et/ou des blessures graves.

## CONSERVER CES INSTRUCTIONS

Usage Domestique seulement.

**AVERTISSEMENT** - Pour réduire les risques d'incendie, de choc électrique ou de blessure:

- Ne pas exposer à la pluie, Ranger à l'intérieur.
- Ne pas permettre aux enfants de jouer avec l'appareil. Une attention particulière est nécessaire lorsque l'appareil est utilisé par des enfants ou à proximité de ces derniers.
- N'utiliser que conformément à cette notice avec les accessoires recommandés par le fabricant.
- Ne pas utiliser si le cordon ou la fiche est endommagé. Retourner l'appareil à un atelier de réparation s'il ne fonctionne pas bien, s'il est tombé ou s'il a été endommagé, oublié à l'extérieur ou immergé.
- Ne pas tirer soulever ni trainer l'appareil par le cordon. Ne pas utiliser le cordon comme une poignée, le coincer dans l'embrasure d'une porte ou l'appuyer contre des arêtes vives ou des coins. Ne pas faire rouler l'appareil sur le cordon. Garder le cordon à l'écart des surfaces chaudes.
- Ne pas débrancher en tyrant sur le cordon. Tirer plutôt la fiche.
- Ne pas manipuler le chargeur, y compris la prise du chargeur, et les bornes du chargeur avec les mains mouillées.
- N'insérer aucun objet dans les ouvertures. Ne pas utiliser l'appareil lorsqu'une ouverture est bloquée. S'assurer que de la poussière, de la peluche, des cheveux ou d'autres matières ne réduisent pas le débit d'air.
- Maintenir les cheveux, les vêtements amples, les doigts et toutes les parties du corps à l'écart des ouvertures et des pièces mobiles.
- Ne pas aspirer des liquides inflammables ou combustibles, comme de l'essence, et ne pas faire fonctionner dans des endroits où peuvent se trouver de tels liquides.
- Ne pas aspirer de matières en combustion ou qui dégagent de la fumée, comme des cigarettes, des allumettes ou des cendres chaudes.
- Ne pas utiliser l'appareil si le sac à poussière ou le filtre n'est pas en place.

## Informations sur la sécurité

- Empêcher une mise en marche accidentelle. S'assurer que l'interrupteur est à la position arrêt avant de raccorder la batterie, de lever ou de déplacer l'appareil. Transporter l'appareil en gardant un doigt sur l'interrupteur, ou mettre sous tension un appareil dont l'interrupteur est à la position marche peut causer un accident.
- Ne pas utiliser et entreposer dans un environnement à température extrêmement chaude ou froide ( inférieure à 0°C/32 °F ou supérieure à 40°C/104 °F). Veuillez charger le robot à une température supérieure à 0°C/32 °F et en dessous de 40°C/104 °F.
- Recharger uniquement avec le chargeur prescrit par le fabricant. Un chargeur convenant à un type de batterie peut présenter un risque d'incendie lorsqu'il est utilisé avec une autre batterie.
- Utiliser uniquement les batteries recommandées pour l'appareil. L'utilisation d'autres types de batteries peut présenter un risque de blessure ou d'incendie.
- Lorsque l'appareil n'est pas utilisé, tenir la batterie loin d'objets métalliques comme des trombones, des pièces de monnaie, des clés, des clous, des vis ou autres petits objets qui pourraient établir une liaison entre les bornes. Un court-circuit des bornes des batteries peut causer des brûlures ou un incendie.
- En condition d'usage abusif, du liquide peut s'échapper de la batterie ; éviter tout contact avec ce liquide. En cas de contact accidentel, rincer abondamment avec de l'eau. En cas de contact avec les yeux, consulter également un médecin. Le liquide projeté peut causer des irritations ou des brûlures.
- Ne pas utiliser une batterie ou un appareil endommagé ou qui a été modifié. Des batteries endommagées ou modifiées peuvent avoir un comportement imprévisible pouvant causer un incendie, une explosion ou un risque de blessure.
- Ne pas exposer une batterie ou un appareil à la flamme ou à des températures excessives. L'exposition à une flamme ou à des températures supérieures à 130 °C peut causer une explosion.
- Respecter toutes les instructions de chargement et ne pas charger la batterie ou l'appareil à des températures qui ne sont pas incluses dans la gamme de températures indiquées dans la notice d'instructions. Un chargement mal effectué.
- Confier les réparations à une personne qualifiée qui utilisera uniquement des pièces de remplacement identiques. Cette façon de faire garantira la sécurité du produit.
- Ne pas modifier ni tenter de réparer l'appareil ou la batterie sauf comme il est indiqué dans les instructions d'utilisation et d'entretien.
- Éloigner les cordons d'autres appareils de la zone à nettoyer.
- Ne pas utiliser l'aspirateur dans une pièce où un nourrisson ou un enfant dort.
- Ne pas utiliser l'aspirateur dans un endroit où il ya des bougies allumées ou des objets fragiles sur le plancher à nettoyer.
- Ne pas utiliser l'aspirateur dans une pièce où il ya des bougies allumées sur les meubles que l'aspirateur peut heurter ou se cogner accidentellement.
- Ne pas laisser les enfants s'asseoir sur l'aspirateur.
- Ne pas utiliser l'aspirateur sur une surface mouillée.
- N'utiliser que l'unité d'approvisionnement RCS0.



## Informations sur la sécurité

L'émetteur/récepteur exempt de licence contenu dans le présent appareil est conforme aux CNR d'Innovation, Sciences et Développement économique Canada applicables aux appareils radio exempts de licence. L'exploitation est autorisée aux deux conditions suivantes :

1. L'appareil ne doit pas produire de brouillage;
2. L'appareil doit accepter tout brouillage radioélectrique subi, même si le brouillage est susceptible d'en compromettre le fonctionnement.

L'antenne installée doit être située

de façon à ce que la population ne puisse être exposée à une distance de moins de 20 cm. Installer l'antenne de façon à ce que le personnel ne puisse approcher à 20 cm ou moins de la position centrale de l'antenne.

La FCC des États-Unis stipule que cet appareil doit être en tout temps éloigné d'au moins 20 cm des personnes pendant son fonctionnement.

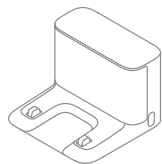
Pour désactiver le module Wi-Fi sur le robot, mettez le robot sous tension et le placez sur le socle de charge. Assurez qu'il est en train de se charger par les contacts de charge. Appuyez sur le bouton nettoyage concentré pendant 20 secondes jusqu'à ce que le module Wi-Fi s'éteigne. Quand le module Wi-Fi sur le robot est désactivé, appuyez sur n'importe quel bouton du panneau pour réactiver le module Wi-Fi.

==	Courant continu
~	Courant alternatif

Cet appareil est conforme aux règles de radiation du DHHS, 21 CFR chapitre 1, sous-chapitre J.

# Présentation du produit

## Accessoires



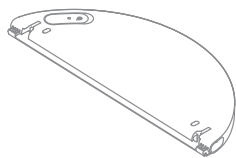
Socket de charge



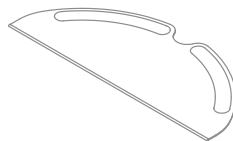
Outil de nettoyage



Cordon d'alimentation



Réservoir d'eau



Serpillère

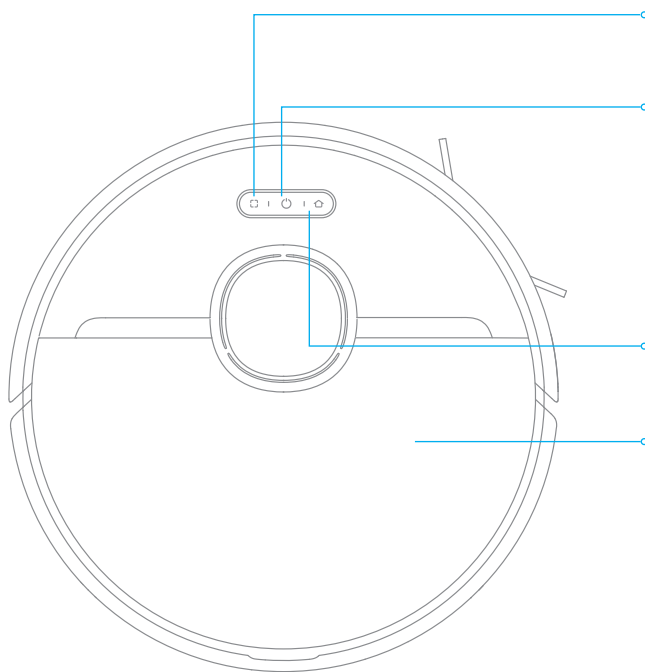


Brosse latérale

Note : Les illustrations de ce manuel sont fournies à titre de référence uniquement, veuillez vous référer au produit pour l'aspect réel.

# Présentation du produit

## Robot



### Bouton Nettoyage Concentré

- Appuyez brièvement pour lancer le mode Spot Clean (Nettoyage ponctuel)

### Bouton d'alimentation/nettoyage

- Maintenir le bouton enfoncé pendant 3 secondes
- Nettoyer : appuyer pour commencer le nettoyage une fois que le robot est mis sous tension

### Indicateur d'état

- Blanc : nettoyage en cours ou terminé
- Clignotant orange : erreur

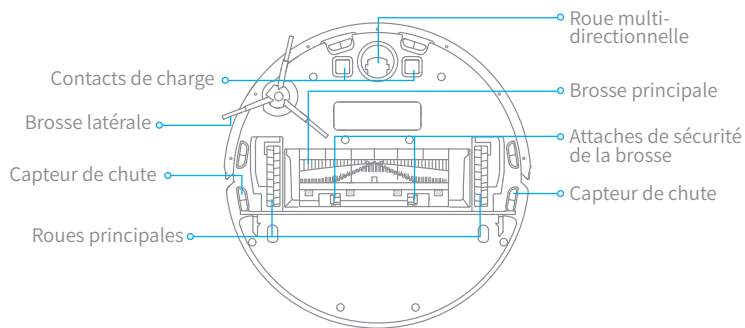
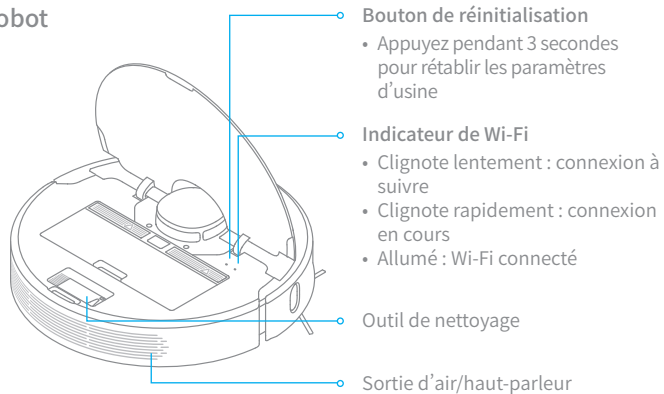
### Bouton de socle

- Appuyer pour renvoyer le robot au socle de charge

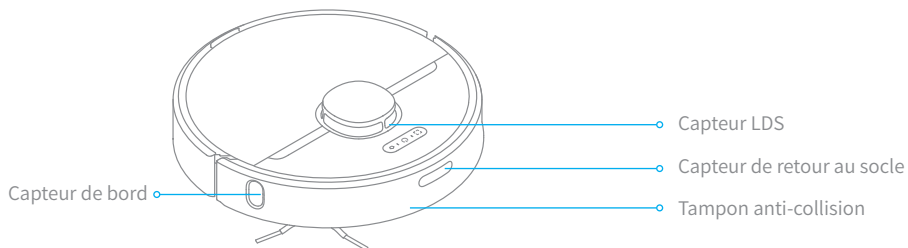
### Couvercle

# Présentation du produit

## Robot

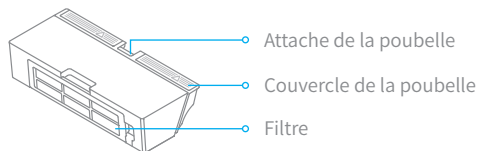


## Capteurs du robot

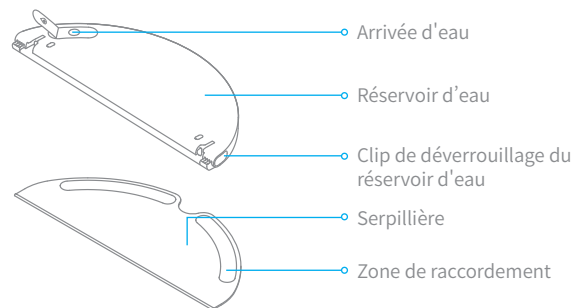


# Présentation du produit

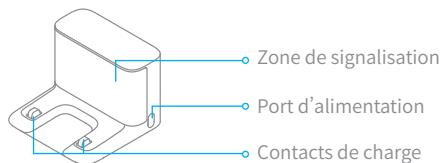
## Poubelle



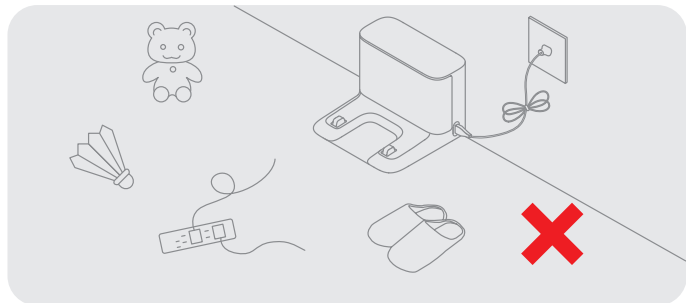
## Module de nettoyage



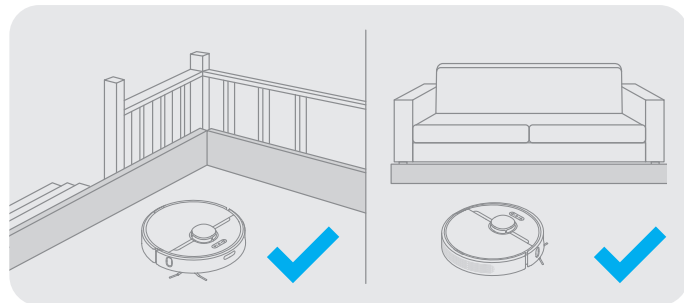
## Socle de charge



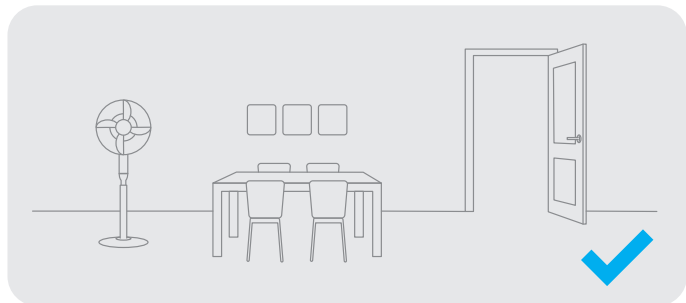
## Nettoyage domestique



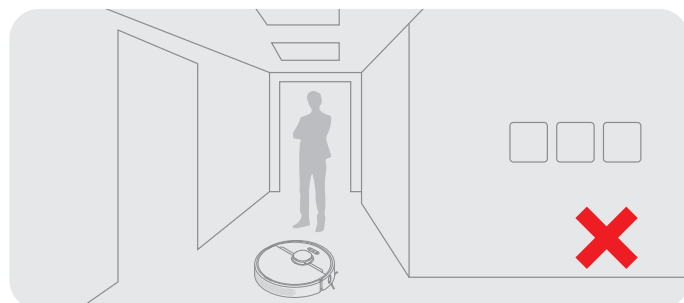
Pour éviter que votre robot ne s'emmêle ou ne soit piégé, rangez tout cordon mal fixé (y compris le cordon d'alimentation de la station de chargement), torchon, pantoufle, jouet, etc.



Avant tout nettoyage, utilisez une barrière physique en bordure des escaliers et du canapé pour empêcher votre robot de se coincer ou de tomber.



Ouvrez la porte de la pièce à nettoyer, et rangez les meubles dans un endroit approprié pour faire plus de place.

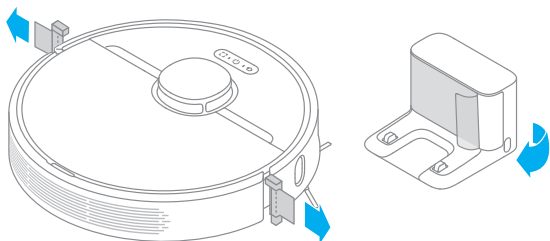


Pour éviter que le robot ne reconnaisse pas la zone à nettoyer, ne restez pas devant le robot, sur le palier, dans le couloir ou dans les endroits étroits.

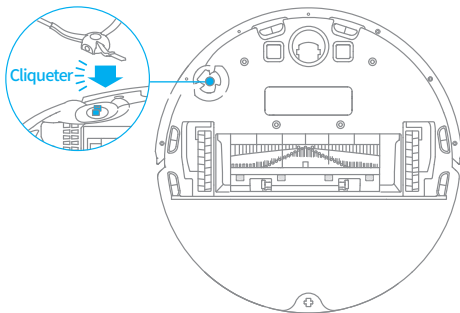
# Préparation

## 1. Enlever le film de protection

Retirez les films de protection du côté du tampon anti-collision et de la station de chargement.

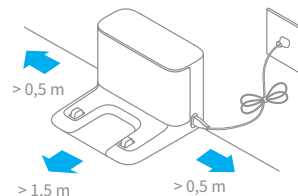


## 2. Installer la brosse latérale



Remarque: Lors de l'installation, la brosse latérale est en place lorsque vous entendez un dé clic.

## 3. Placez la station de recharge sur un sol plat contre le mur et branchez l'alimentation



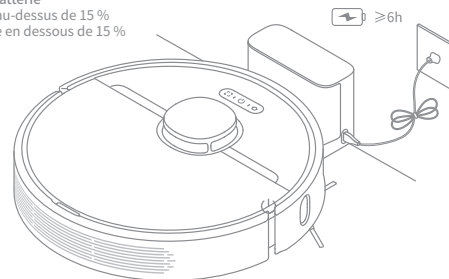
Remarque :

- Assurez-vous qu'il y a une distance de 0,5 mètre ou plus de chaque côté de la station de recharge, et une distance de plus de 1,5 mètre devant celle-ci.
- Rangez tout cordon qui pourrait accidentellement déplacer ou débrancher la station de recharge.
- Pour vous assurer que vous pouvez bien vous connecter au robot avec votre téléphone, assurez-vous que le robot et la station de recharge sont à portée du Wi-Fi.
- Ne placez pas la station de recharge dans un endroit directement exposé aux rayons du soleil où d'autres objets pourraient bloquer sa zone de signalisation, car cela pourrait empêcher le robot de retourner à la station de recharge.

## 4. Placez le robot sur le quai de chargement pour le recharger. Le robot va s'allumer alors automatiquement et se recharger.

 Indicateur du niveau de batterie

- Blanc : niveau de batterie au-dessus de 15 %
- Orange : niveau de batterie en dessous de 15 %



Remarque :

- Charger complètement avant la première utilisation.
- N'installez pas le module de balayage pendant le chargement. Veillez à ce que le chargement se fasse dans un environnement sans danger pour éviter d'endommager le sol avec un chiffon humide.

# Connexion avec l'application Mi Home/Xiaomi Home

Ce produit fonctionne avec l'application Mi Home/Xiaomi Home\*.

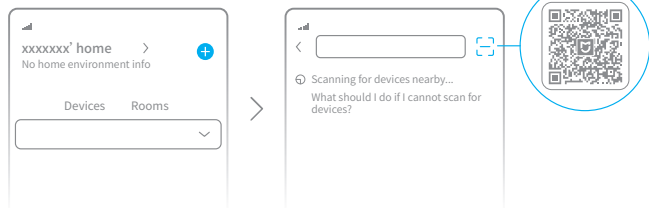
## 1. Téléchargez l'application Mi Home / Xiaomi Home

Scannez le code QR pour télécharger et installer l'application. Vous serez redirigé vers la page de configuration si l'application est déjà installée. Sinon, recherchez « Mi Home/Xiaomi Home » dans l'App Store pour la télécharger et l'installer.



## 2. Ajouter un appareil


Ouvrez l'application Mi Home / Xiaomi Home, et appuyez sur "+" en haut à droite. Puis appuyez sur "🔗" en haut à droite. Scannez le code QR, ajoutez "Robot aspirateur Dreame D9" et suivez les instructions pour terminer la connexion.

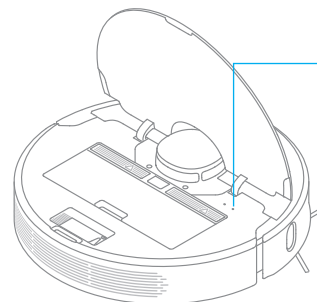


Remarque :

- Seul le Wi-Fi 2,4GHz est pris en charge.
- la version de l'application pourrait avoir été mise à jour. Suivez les instructions basées sur la version actuelle de l'application.

## 3. Réinitialiser le Wi-Fi

Maintenez simultanément les touches  et  enfoncées jusqu'à ce que vous entendiez le message « En attente de la configuration réseau ». Lorsque le voyant du Wi-Fi clignote lentement, alors le Wi-Fi a été réinitialisé avec succès.



Indicateur de Wi-Fi



- Clignote lentement : connexion à suivre
- Clignote rapidement : connexion en cours
- Allumé : Wi-Fi connecté

Remarque : Lorsque votre téléphone ne parvient pas à se connecter au robot, réinitialisez le Wi-Fi et ajoutez à nouveau l'appareil.




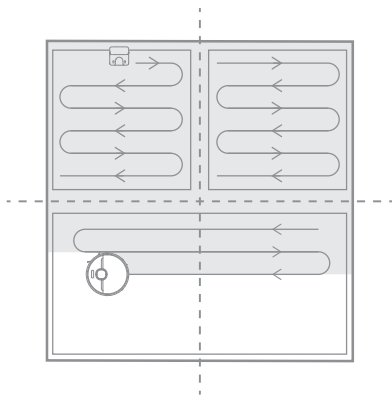
# Mode d'utilisation

## 1. Allumer/éteindre

Appuyez sur le bouton  et maintenez-le enfoncé pendant 3 secondes pour allumer le robot. Lorsque le voyant d'alimentation devient blanc, le robot est en mode veille. Pour éteindre le robot, appuyez sur le bouton  pendant 3 secondes lorsque le robot est à l'arrêt. La mise hors tension du robot mettra fin à la tâche de nettoyage en cours.

## 2. Commencer le nettoyage

Appuyez brièvement sur le bouton  pour allumer le robot. Une fois activé, le robot se mettra à tracer des itinéraires précis, nettoiera méthodiquement chaque pièce sous forme de S, puis il terminera en nettoyant le long des bords et des murs pour assurer un travail minutieux.



## 3. Mode nettoyage

Quatre modes de nettoyage sont disponibles sur l'application Mi Home/ Xiaomi Home : silencieux, standard, fort et turbo. Le mode Standard est défini par défaut.

## 4. Pause/Mode Veille

Pause: Appuyez sur n'importe quel bouton pour suspendre le nettoyage du robot.  
Mode veille: Le robot passera automatiquement en mode Veille après 10 minutes d'inactivité, puis les voyants d'alimentation et de charge s'éteindront. Pour réveiller le robot, appuyez sur n'importe quel bouton.

Remarque :

- Le robot s'éteint automatiquement en mode veille au bout de deux heures.
- Lorsque le robot est en pause, vous mettez fin au nettoyage en cours si vous le replacez sur le socle de charge.

## 5. Mode Ne pas déranger


Vous pouvez activer le mode Ne pas déranger ou modifier les heures d'activation via l'application. Le mode est activé, par défaut, de 22h00 à 08h00.

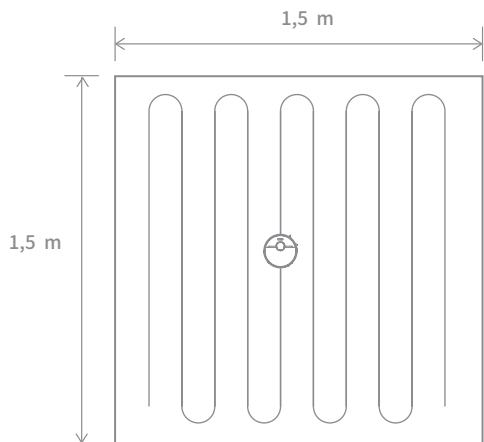
Remarque :

- Les nettoyages programmés seront toujours effectués lors de la période DND.

## Mode d'utilisation

### 6. Mode Nettoyage Concentré

Lorsque le robot est en pause ou en mode veille, appuyez sur le bouton  pendant 3 secondes pour activer le mode Nettoyage ponctuel. Dans ce mode, il nettoiera une surface carrée (1,5 x 1,5 m) autour de lui. Une fois le nettoyage ponctuel terminé, le robot retournera automatiquement à sa position initiale et s'éteindra.



Remarque : L'activation du mode Nettoyage Concentré mettra fin au nettoyage en cours du robot.

### 7. Nettoyage programmé

Vous pouvez programmer des horaires de nettoyage via l'application Mi Home/ Xiaomi Home. Le robot commencera automatiquement le nettoyage à l'heure définie, puis il retournera au socle de charge une fois qu'il aura terminé.

### 8. Plus de fonctionnalités concernant l'APP

L'application peut être utilisée pour mettre en place des fonctions avancées telles que le nettoyage d'une pièce sélectionnée, le nettoyage d'une zone, l'interdiction d'approcher une zone/mur virtuel, etc.

Remarque :

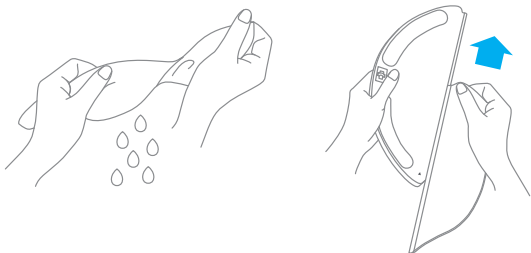
- Suivez les instructions sur l'interface de l'APP pour utiliser plus de fonctions.
- La version de l'application pourrait avoir été mise à jour, veuillez suivre les instructions de la version actuelle de l'application.

# Mode d'utilisation

## 9. Utilisation de la fonction de nettoyage

Il est recommandé de passer l'aspirateur au moins trois fois sur tous les sols avant la première session de nettoyage afin d'obtenir un meilleur effet de nettoyage.


1) Humidifiez la serpillière et essorez l'excès d'eau. Faites complètement glisser la serpillière dans l'emplacement sur le réservoir d'eau de manière à bien la fixer.

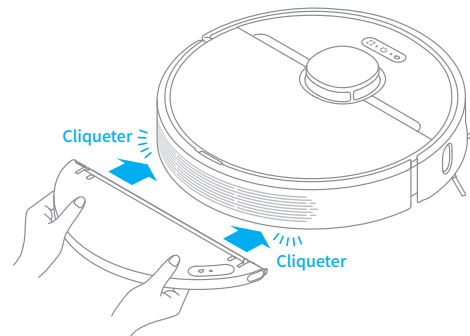


2) Ouvrez le couvercle du réservoir d'eau, remplissez le réservoir avec de l'eau, puis fermez bien le couvercle.



Remarque : Ne pas utiliser des détergents ou désinfectants non recommandés.

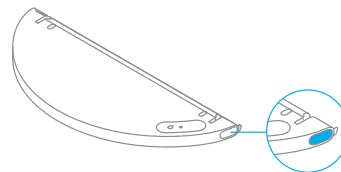
3) Alignez le module de nettoyage en suivant la flèche, puis faites-le glisser à l'arrière du robot jusqu'à ce que vous entendiez le dé clic. Appuyez sur le bouton  ou utilisez l'application Mi Home/Xiaomi Home pour commencer le nettoyage.



Remarque:

- Il n'est pas recommandé d'utiliser la fonction de nettoyage sur les tapis.
- Utilisez l'application pour ajuster le débit d'eau selon vos besoins.

4) Appuyez sur les deux clips latéraux vers l'intérieur et faites glisser le réservoir d'eau vers l'arrière pour le séparer du robot.

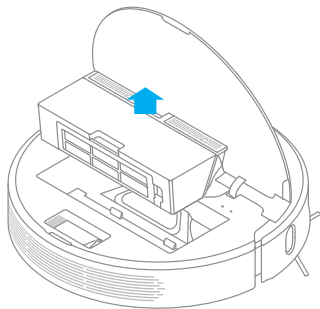


Remarque : Lorsque le robot est en train de se charger ou n'est pas en cours d'utilisation, retirez le module de nettoyage, videz toute l'eau restante du réservoir et nettoyez la serpillière pour éviter toute moisissure ou odeur persistante.

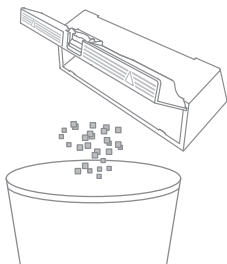
## Maintenance de routine

### Nettoyez le bac à poussière et le filtre

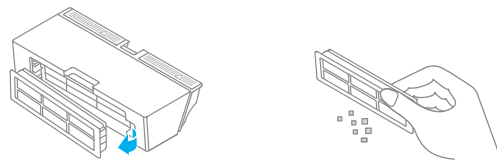
1. Ouvrez le couvercle du robot, puis pincez les clips du bac à poussière pour le retirer.



2. Ouvrez le couvercle du bac à poussière comme indiqué par le diagramme.

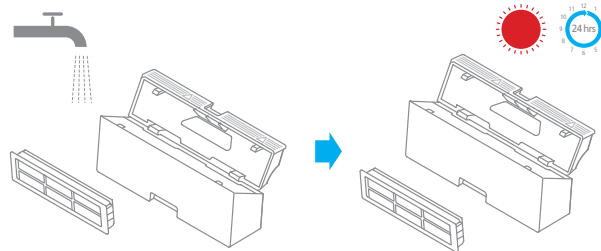


3. Retirez le filtre, rincez-le plusieurs fois et tapez sur le cadre de filtre pour enlever le plus de saleté possible.



Remarque: N'essayez pas de nettoyer le filtre avec une brosse ou vos doigts.

4. Rincez la poubelle (bac à poussière) et le filtre avec de l'eau jusqu'à ce qu'ils soient propres. Séchez bien le filtre avant de le réinstaller.



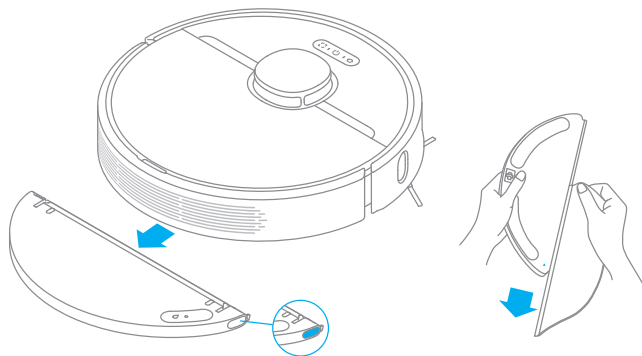
Remarque :

- Utilisez uniquement de l'eau propre pour nettoyer le filtre. N'utilisez pas de détergent.
- Le filtre doit être parfaitement sec avant d'être utilisé (attendez au moins 24 heures).

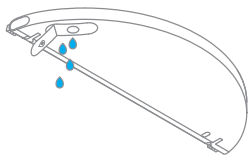
## Maintenance de routine

### Nettoyer le module de nettoyage

1. Appuyez sur les deux clips de dégagement situés du côté du réservoir d'eau, retirez le module de lavage et retirez le tampon de lavage du module de lavage.

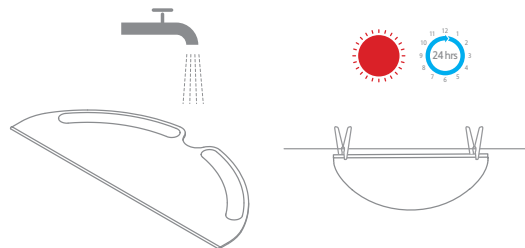


2. Videz l'eau restante du réservoir d'eau et gardez-le au sec naturellement.



Remarque : Ne pas exposer le réservoir directement au soleil.

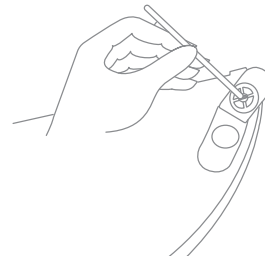
3. Nettoyez la serpillière, puis séchez-la



Remarque :

- Retirez la serpillière du module de lavage avant de la nettoyer et assurez-vous que l'eau sale ne retourne pas vers la sortie d'eau afin d'éviter tout colmatage.
- Pour obtenir des performances optimales, il est recommandé de remplacer la serpillière toutes les 3 à 6 mois.

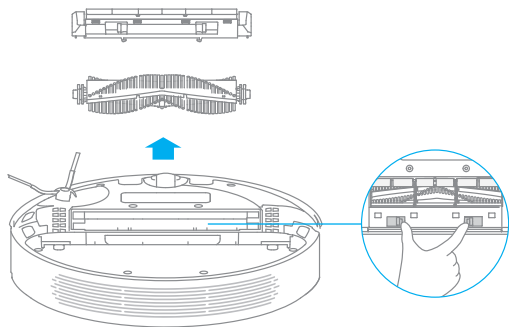
4. Si vous remarquez que l'eau coule lentement ou que le volume n'est pas bien réparti, veuillez nettoyer le trou d'aération dans le couvercle du réservoir d'eau.



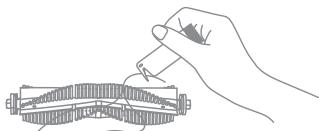
## Maintenance de routine

### Nettoyez la brosse principale

Appuyez sur les clips de protection de la brosse vers l'intérieur pour retirer la protection de la brosse et faites sortir la brosse du robot.

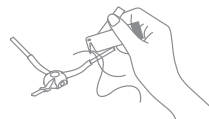


Utilisez le nettoyeur de brosse fourni pour enlever les cheveux qui y sont emmêlés.

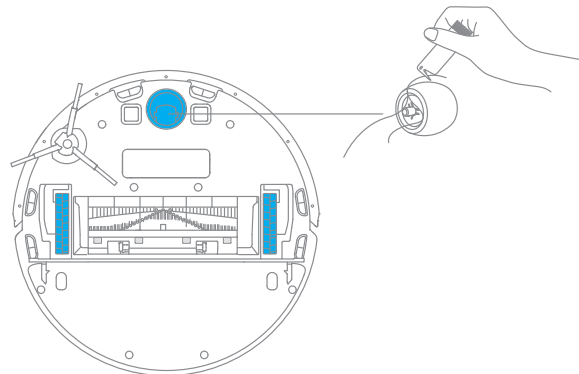


### Nettoyer la brosse latérale

Sortez les brosses latérales et utilisez l'outil de nettoyage fourni pour retirer les poils emmêlés sur la brosse.



### Nettoyer la roue principale et la roue multi-directionnelle



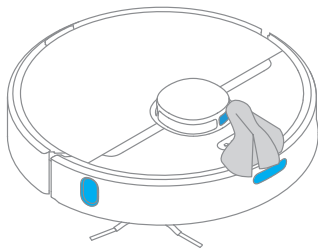
Remarque: S'il y a une grande quantité de poils ou si des poils sont étroitement enchevêtrés, retirez-les avec précaution pour éviter d'endommager la brosse principale.

Remarque : Utilisez des outils tels qu'un petit tournevis, etc. pour séparer l'axe et le pneu.

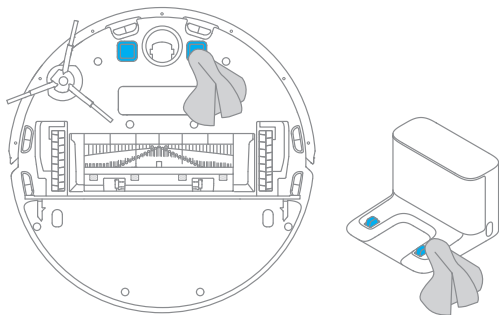
## Maintenance de routine

Remarque: Veuillez utiliser un torchon sec pour le nettoyage, car le robot et la station de chargement intérieure possèdent des éléments sensibles. N'utilisez pas de torchon humide pour éviter les dommages causés par l'eau.



### Nettoyer le capteur LDS / le capteur de retour à la charge / le capteur de bord



### Nettoyer le contact de charge



### Redémarrage du robot

Si le robot ne répond plus ou s'il est impossible de l'éteindre, appuyez sur le bouton  pendant 6 secondes pour forcer la mise hors tension. Après cela, appuyez sur le bouton  pendant 3 secondes pour rallumer le robot.

### Batterie

Le robot contient une batterie lithium-ion haute performance. Veuillez vous assurer qu'il reste bien chargé pendant l'utilisation quotidienne pour garantir une performance optimale de la batterie. Si le robot n'est pas utilisé pendant une longue période, éteignez-le et rangez-le. Afin qu'il ne soit pas endommagé en raison d'une décharge excessive, le robot doit être rechargé au moins une fois tous les trois mois.

Type de problème	Solution
Le robot ne s'allume pas	Le niveau de batterie est faible. Rechargez le robot à l'aide du socle de charge, puis réessayez. La température ambiante est trop basse (inférieure à 0 °C) ou trop élevée (supérieure à 40 °C). La température de fonctionnement du robot est comprise entre 0 °C et 40 °C.
Le robot ne se charge pas	Le socle de charge n'est pas alimenté. Veuillez vérifier que les deux extrémités du cordon d'alimentation sont bien branchées. Problème de contact. Nettoyez les contacts de charge du socle de charge et du robot.
Le robot ne retourne pas au socle de charge	Il y a trop d'obstacles autour du socle de charge. Placez le socle de charge dans une zone plus ouverte. Veuillez nettoyer la zone d'émission de signal du socle.
Le robot ne fonctionne pas correctement	Éteignez-le robot, puis rallumez-le.
Le robot émet un bruit étrange	Un objet étranger est probablement coincé dans la brosse principale, la brosse latérale ou l'une des roues principales. Arrêtez le robot et enlevez les débris.
Le robot ne nettoie plus correctement ou n'élimine pas toute la poussière	Le bac à poussière est plein. Veuillez le nettoyer. Le filtre est obstrué. Veuillez le nettoyer. Un objet étranger est coincé dans la brosse principale. Veuillez la nettoyer.
Le robot ne peut pas se connecter au Wi-Fi	Un problème avec la connexion Wi-Fi est survenu. Réinitialisez le Wi-Fi et téléchargez la dernière version de l'application Mi Home/Xiaomi Home, puis essayez de vous reconnecter. Le système de localisation n'est pas ouvert. Veuillez vous assurer que le système de localisation de l'application Mi Home/Xiaomi Home est ouvert. Le signal Wi-Fi est faible. Assurez-vous que le robot est dans une zone offrant une bonne couverture Wi-Fi. Le Wi-Fi à 5 GHz n'est pas pris en charge. Veuillez vous assurer que votre robot peut se connecter à un signal Wi-Fi 2,4 GHz. Le nom d'utilisateur ou le mot de passe du Wi-Fi est incorrect. Veuillez vous assurer que le nom d'utilisateur et le mot de passe saisis sont corrects.
Le robot n'effectue pas le nettoyage programmé	Le niveau de batterie du robot est faible. Le nettoyage programmé ne commence pas tant que le robot ne dispose pas d'au moins 15 % de batterie.



Type de problème	Solution
Est-ce que de l'énergie continue d'être consommée lorsque je laisse le robot sur le socle de charge tandis qu'il est déjà chargé?	Laisser le robot sur le socle de charge lorsqu'il est entièrement chargé consomme une très petite quantité d'électricité et aide à garantir une performance optimale de la batterie.
Le robot doit-il être complètement chargé pendant 16 heures pour les trois premières utilisations?	Les batteries au lithium ne subissent pas d'effet mémoire. Il n'est donc pas nécessaire d'attendre 16 heures après avoir complètement chargé le robot pour l'utiliser.
Peu d'eau, voire pas du tout ne sort du module de nettoyage?	Vérifiez que le réservoir d'eau est rempli et nettoyez la serpillière, le cas échéant. Nettoyez la serpillière si elle est sale. Assurez-vous que la serpillière est bien installée conformément au mode d'emploi. Nettoyez le trou d'air du réservoir d'eau.
Le robot ne retourne pas au socle de charge après avoir été déplacé	Le déplacement du robot peut l'obliger à se repositionner ou à cartographier à nouveau ses environs. Si le robot est trop éloigné du socle de charge, il ne pourra pas y retourner automatiquement. Vous devrez alors le placer manuellement sur le socle de charge.

# Spécifications

## Robot

Modèle	RLS5-WH1
Batterie	5200 mAh (Capacité nominale de la batterie)
Connectivité sans fil	Wi-Fi IEEE 802.11b/g/n 2.4 GHz
Tension nominale	14,4 V ---
Puissance nominale	40 W
Fréquence de fonctionnement	2400-2483,5 MHz
Puissance maximale en sortie	<20 dBm

## Socle de charge

Modèle	RCS0
Entrée nominale	100-240 V ~ 50/60 Hz 0,5 A
Sortie nominale	19,8 V --- 1 A

Dans des conditions normales d'utilisation, cet équipement doit être maintenu à une distance d'au moins 20 cm entre l'antenne et le corps de l'utilisateur.

## Información de Seguridad

# INSTRUCCIONES IMPORTANTES DE SEGURIDAD

Cuando utiliza un aparato eléctrico, siempre debe seguir las precauciones básicas, incluidas las siguientes:

LEA TODAS LAS INSTRUCCIONES ANTES DE USAR (ESTE APARATO), El incumplimiento de las advertencias e instrucciones puede provocar descarga eléctrica, incendio y/o lesiones graves.

## GUARDE ESTAS INSTRUCCIONES

Solo para uso doméstico.

**ADVERTENCIA**-Para reducir el riesgo de incendio, descarga eléctrica o lesiones:

- No lo utilice al aire libre o sobre superficies mojadas.
- No permita que se utilice como un juguete. Debe prestar mucha atención cuando se utiliza cerca de niños, mascotas o plantas.
- Use únicamente como se describe en este manual. Sólo utilice los accesorios recomendados por el fabricante
- No lo utilice con el cable o enchufe dañado. Si el aparato no funciona correctamente, se ha caído, dañado, dejado al aire libre o sumergido en agua, remítalo a un centro de servicio.
- No tire ni transporte agarrando el cable, no use el cable como asa, no cierre puertas encima del cable ni pase el cable por bordes o esquinas afiladas. No pase el aparato por encima del cable. Mantenga el cable alejado de superficies calientes.
- No desenchufe tirando del cable. Para desenchufar, agarre el enchufe, no el cable.
- No manipule el cargador, el enchufe del cargador y los terminales del cargador con las manos mojadas.
- No coloque ningún objeto en las aberturas. No lo utilice si tiene alguna abertura bloqueada; manténgalo libre de polvo, pelusas, cabello y cualquier material que pueda reducir el flujo de aire.
- Mantenga el cabello, la ropa holgada, los dedos y todas las partes del cuerpo alejados de las aberturas y las piezas móviles.
- No lo use para limpiar líquidos inflamables o combustibles, como gasolina, ni lo use en zonas donde puedan estar presentes.
- No limpie nada que se esté quemando o humeando, como cigarrillos, cerillas o cenizas calientes.
- No lo utilice sin la bolsa para el polvo.
- Evite el encendido involuntario. Asegúrese de que el interruptor esté apagado antes de conectarlo a la batería, levantarlo o transportarlo. Transportar el aparato con el dedo apoyado en el interruptor o energizar el aparato con el interruptor encendido puede causar accidentes.
- No utilice ni guarde el aparato en ambientes extremadamente calientes o fríos (debajo de 0°C/32 °F o por encima de 40°C/104 °F). Cargue el robot a una temperatura por encima de 0°C/32 °F y 40°C/104 °F.

## Información de Seguridad

- Recargue sólo con el cargador especificado por el fabricante. Un cargador adecuado para un tipo de batería puede provocar riesgo de incendio si se utiliza en otra batería.
- Use sus aparatos sólo con las baterías específicamente indicadas. El uso de cualquier otra batería puede provocar riesgo de lesiones e incendio.
- Cuando la batería no esté en uso, manténgala alejada de objetos metálicos, como clips de papel, monedas, llaves, clavos, tornillos u otros objetos metálicos pequeños que pueden provocar la conexión de los terminales. Un cortocircuito en los terminales de la batería puede provocar quemaduras o incendios.
- Bajo condiciones abusivas, puede haber fugas de líquido en la batería; evite el contacto. Si ocurre contacto accidental, enjuague con agua. Si el líquido entra en contacto con los ojos, busque atención médica. El líquido derramado de la batería puede provocar irritación o quemaduras.
- No utilice una batería o un aparato dañado o modificado. Las baterías dañadas o modificadas pueden tener un comportamiento impredecible que resulte en fuego, explosión o lesiones.
- No exponga una batería o un aparato al fuego ni a temperaturas excesivas. La exposición al fuego o una temperatura superior a 130°C puede provocar explosiones.
- Siga todas las instrucciones de carga y no cargue la batería o el aparato fuera del rango de temperatura indicado en las instrucciones. La carga incorrecta o a temperaturas fuera del rango indicado puede dañar la batería y aumentar el riesgo de incendio.
- Remita el servicio a un técnico calificado que utilice únicamente idénticas piezas de repuesto. Esto asegurará que se mantenga la seguridad del producto.
- No modifique ni intente reparar el aparato o la batería, excepto de la forma indicada en las instrucciones de uso y cuidado.
- Coloque los cables de otros aparatos fuera de la zona que va a limpiar.
- No opere la aspiradora en una habitación en la que duerme un bebé o un niño.
- No opere la aspiradora en una zona con velas encendidas u objetos frágiles en el suelo.
- No opere la aspiradora en una habitación con velas encendidas encima de aquellos muebles que la aspiradora pueda golpear accidentalmente.
- No permita que los niños se sienten encima de la aspiradora.
- No utilice la aspiradora sobre superficies húmedas.
- Usar sólo con la unidad de alimentación RCS0.

## Información de Seguridad

Este dispositivo cumple con la Parte 15 de la Normativa FCC / RSS exentos de licencia de Canadá para la innovación, la ciencia y el desarrollo económico. Su operación queda sujeta a las dos condiciones siguientes: (1) este dispositivo no deberá causar ninguna interferencia nociva. (2) este dispositivo deberá aceptar cualquier interferencia que reciba, incluyendo toda interferencia que pueda causarle un funcionamiento no deseado.

Recordatorio en relación con la máxima exposición admisible (MPE)

A fin de cumplir con los requisitos de FCC / IC en materia de exposición a la radiofrecuencia, se deberá mantener una distancia mínima de 20 cm o más entre la antena de este dispositivo y cualquier persona durante el funcionamiento.

A fin de garantizar dicho cumplimiento, no se recomienda la utilización a una distancia inferior a la indicada.

Para desactivar el módulo Wi-Fi en robot, por favor encienda el robot. Coloque el robot en la Tomacorriente de Carga.

Asegúrese de que los Contactos de Carga del robot y los pines de la Tomacorriente de Carga estén conectados.

Mantenga presionando el Botón de Tomacorriente del robot durante 20 segundos hasta que el módulo Wi-Fi se apague.

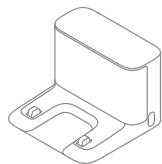
Al apagar el módulo Wi-Fi, presione cualquier botón del robot para activar el módulo Wi-Fi.

— — —	Corriente continua
~	Corriente alterna

Este dispositivo cumple con las normas de radiación del DHHS, título 21 del CFR, capítulo 1, subcapítulo J.

## Descripción general del producto

### Accesorios



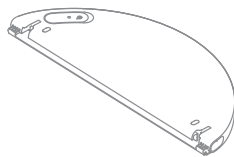
Puerto de carga



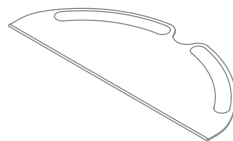
Herramienta de limpieza



Cable de alimentación



Depósito de agua



Mopa

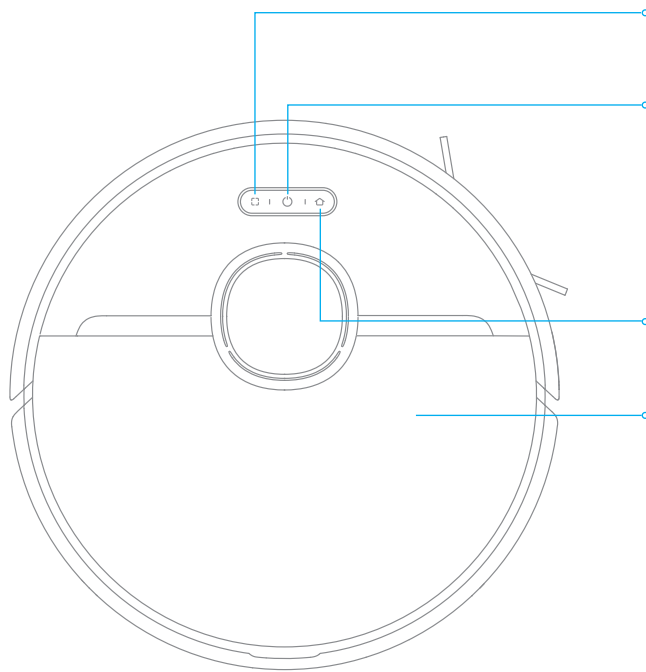


Cepillo lateral

Nota: las ilustraciones del presente manual son sólo de referencia, por favor consulte la apariencia real en el producto adquirido.

# Descripción general del producto

## Robot



### Botón Limpieza Localizada

- Pulse brevemente para iniciar el Modo de Limpieza Localizada

### Botón de encendido/limpieza

- Botón de encendido/apagado: Mantener pulsado por 3 segundos
- Después de encender el robot, pulsar para iniciar la limpieza

### Indicador de estado

- Blanco: Limpiando o limpieza completada
- Naranja intermitente: Error

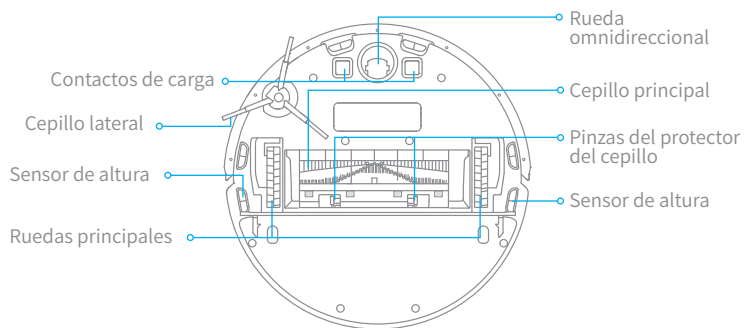
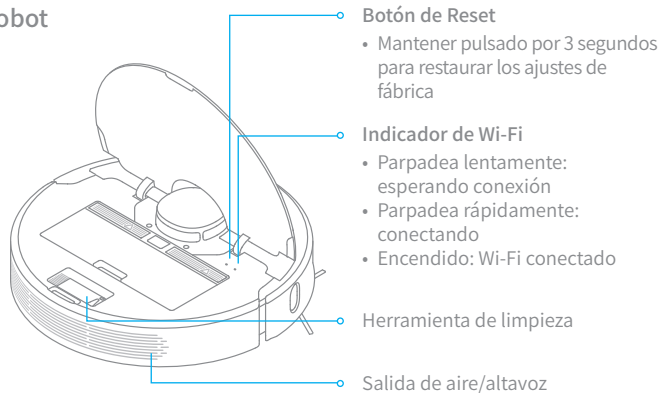
### Botón base

- Pulsar para enviar el robot de vuelta a la base de carga

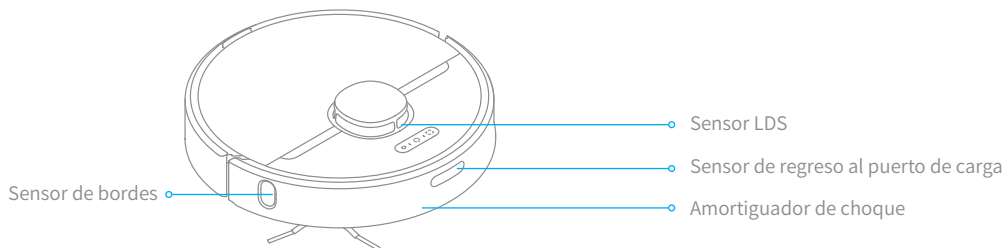
### Cubierta

# Descripción general del producto

## Robot



## Sensores del robot



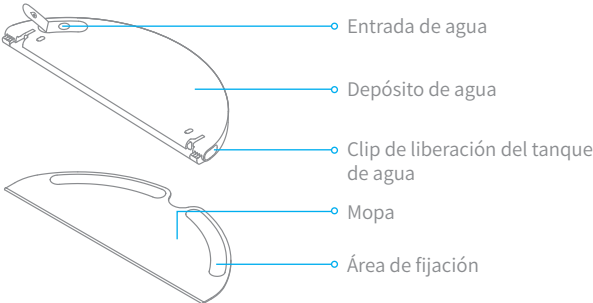


# Descripción general del producto

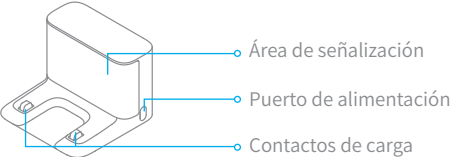
## Depósito de basura



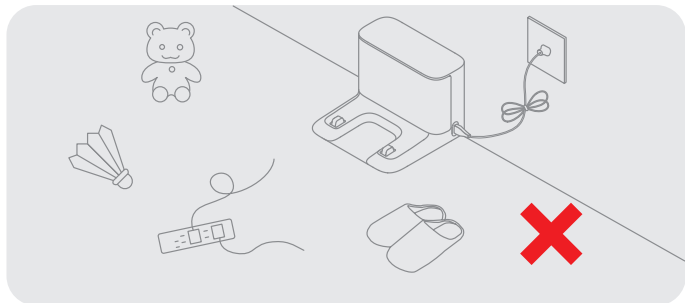
## Módulo de fregado



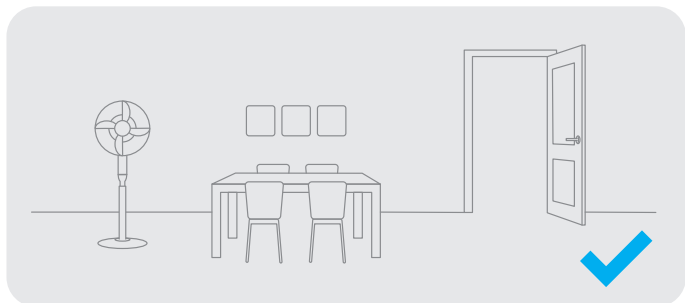
## Puerto de carga



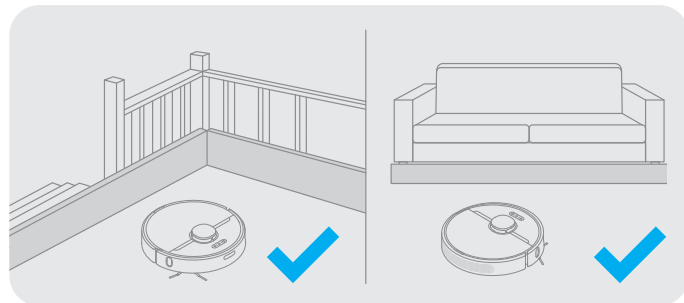
## Ordenar el entorno doméstico



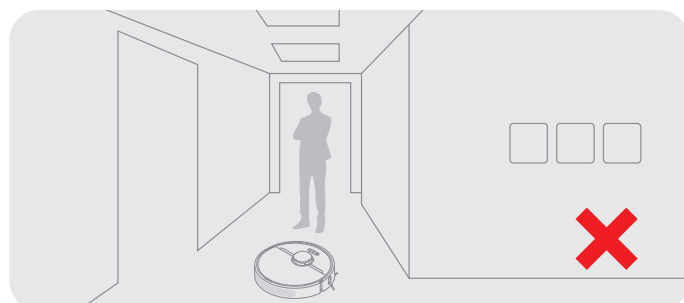
Para evitar que su robot se enrede o quede atrapado, recoja cualquier cable suelto (incluido el cable de alimentación de la base de carga), paño de cocina, zapatilla, juguete, etc.



Abra la puerta de la habitación que va a limpiar y coloque los muebles en el lugar apropiado para hacer más espacio.



Antes de limpiar, coloque una barrera física en el borde de las escaleras y el sofá para evitar que el robot quede atrapado o caiga.

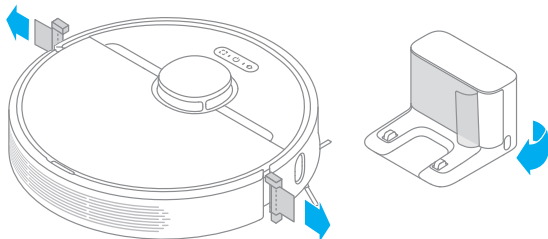


Para evitar que el robot no reconozca el área a limpiar, no permanezca de pie delante del robot, en el umbral, el pasillo o lugares estrechos.

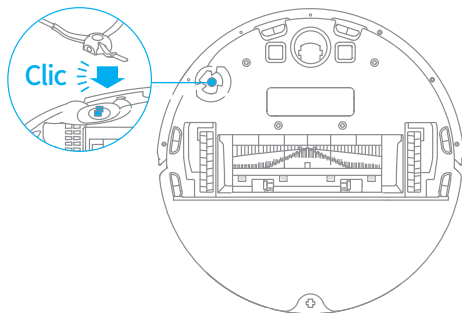
# Preparación

## 1. Retire la película protectora

Retire las películas protectoras en el laso del amortiguador de choques y el puerto de carga.

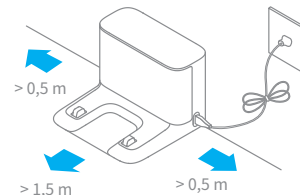


## 2. Instale el cepillo lateral



Nota: Instale los cepillos laterales hasta que encajen en su sitio.

## 3. Coloque el puerto de carga en un suelo nivelado contra la pared y conecte a la fuente de alimentación



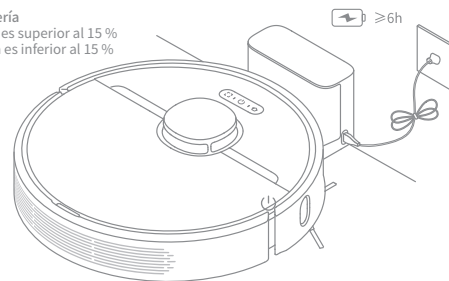
Nota:

- Asegúrese de que haya una distancia de 0,5 metros o más por cada lado del puerto de carga, y más de 1,5 metros enfrente.
- Recoja cualquier cable suelto que pueda moverse o desenchufarse accidentalmente del puerto de carga.
- Para garantizar una buena conexión del robot con su teléfono, asegúrese de que el robot y el puerto de carga estén dentro del alcance del Wi-Fi.
- No coloque el puerto de carga en una zona con luz solar directa o donde objetos puedan bloquear la zona de señal, ya que podría afectar al retorno del robot al puerto de carga.

## 4. Coloque el robot en la base de carga para recargar la batería. El robot se encenderá automáticamente y la batería comenzará a cargar

● Indicador de nivel de batería

- Blanco: El nivel de batería es superior al 15 %
- Naranja: El nivel de batería es inferior al 15 %



Nota:

- Cargue por completo antes del primer uso.
- No instale el módulo de fregado durante la carga. Asegúrese de que la carga se realice en un entorno seguro para evitar daños en el piso causados por un paño húmedo.

# Conectar con la aplicación Mi Home / Xiaomi Home

Este producto funciona con la aplicación Mi Home / Xiaomi Home\*.

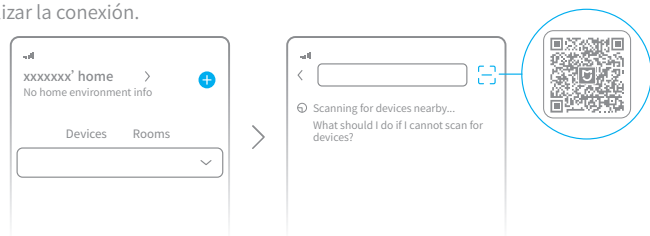
## 1. Descargue la Aplicación Mi Home/Xiaomi Home

Escanee el código QR para descargar e instalar la aplicación. Se le dirigirá a la página de configuración de conexión si la aplicación ya está instalada. O busque "Mi Home / Xiaomi Home" en la App Store para descargarla e instalarla.



## 2. Añadir dispositivo



Abra la aplicación Mi Home / Xiaomi Home, toque " + " en la parte superior derecha. Luego toque la esquina superior derecha " + " de nuevo, escanee el código QR, añada "Robot Aspirador Dreame D9" y siga las indicaciones para finalizar la conexión.

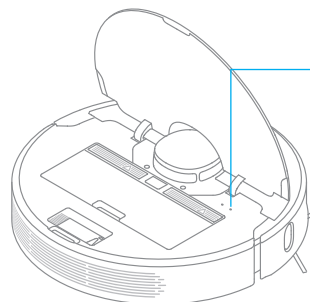


Nota:

- Sólo admite Wi-Fi de 2,4GHz.
- La versión de la aplicación puede que haya sido actualizada, siga las instrucciones específicas de la versión actual.

## 3. Restablecer Wi-Fi

Al mismo tiempo, mantenga pulsado los botones  y  hasta que escuche una voz diciendo «Esperando configuración de red». Cuando el indicador parpadee lentamente, el Wi-Fi se habrá restablecido correctamente.





- Indicador del Wi-Fi**
- Parpadea lentamente: Esperando conexión
  - Parpadea rápidamente: Conectando
  - Encendido: Wi-Fi conectado


Nota: Cuando el teléfono no se conecta correctamente al robot, reinicie el Wi-Fi y añada de nuevo el dispositivo.

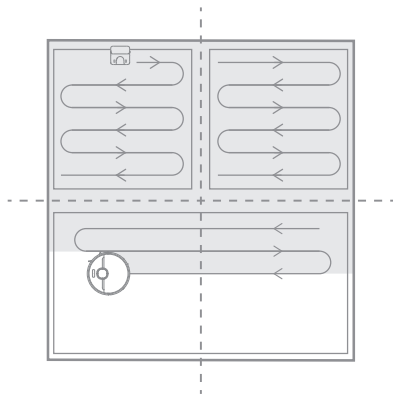
# Modo de uso

## 1. Encender/apagar

Mantenga pulsado el botón  durante 3 segundos para encender el robot. Una vez que el indicador de encendido se vuelve completamente blanco, el robot entrará en modo de espera. Para apagar el robot, mantenga pulsado el botón  durante 3 segundos mientras el robot está parado. Si apaga el robot, finalizará la tarea de limpieza actual.

## 2. Comenzar Limpieza

Pulse brevemente el botón  para encender el robot. Una vez activado, el robot traza rutas precisas, limpia metódicamente cada habitación en un patrón en forma de S, luego finaliza limpiando los bordes y a lo largo de las paredes para garantizar un buen resultado.



## 3. Modo de limpieza

En la aplicación Mi Home/Xiaomi Home hay cuatro modos de limpieza disponibles: Silencioso, Estándar, Fuerte y Turbo. El modo predeterminado es el estándar.

## 4. Pausar/Modo Suspensión

Pausar: pulse cualquier botón para pausar el robot durante la limpieza. Modo Suspensión: el robot activará automáticamente el modo suspensión tras 10 minutos de inactividad. A continuación, se apagarán los indicadores de energía y de carga. Para volver a activar el robot, pulse algún botón.

Nota:

- El robot se apagará automáticamente cuando esté en el modo de suspensión por más de dos horas.
- Cuando el robot esté parado, colocarlo en la base de carga finalizará la tarea de limpieza actual.

## 5. Modo No molestar


Puede activar el modo No molestar o modificar sus horas desde la aplicación. Este modo se activa por defecto desde las 22:00 hasta las 08:00.

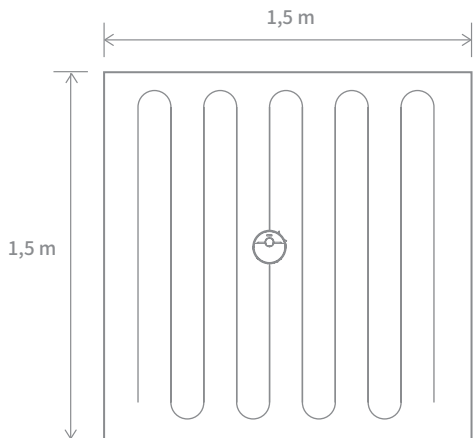
Nota:

- Sin embargo, las limpiezas programadas se llevarán a cabo durante el período DND.

## Modo de uso

### 6. Modo Limpieza Localizada

Cuando el robot con mopa esté en modo de espera o en pausa, mantenga pulsado el botón  durante 3 segundos para activar el modo Limpieza de manchas. En este modo, limpiará una zona cuadrada de 1,5 x 1,5 metros alrededor del robot. Cuando termine la limpieza de las manchas, el robot regresará automáticamente a su ubicación original y se apagará.



Nota: Activar el modo Limpieza de manchas acabará con la tarea de limpieza actual.

### 7. Limpieza programada

Puede programar la hora de la limpieza en la aplicación Mi Home/Xiaomi Home. El robot empezará automáticamente la limpieza en el momento indicado y luego volverá a la base de carga una vez terminada la limpieza.

### 8. Más Funciones de la Aplicación

La aplicación se puede usar para ajustar funciones avanzadas como limpieza selectiva de habitación, limpieza de zona, áreas restringidas/pared virtual, etc.

Nota:

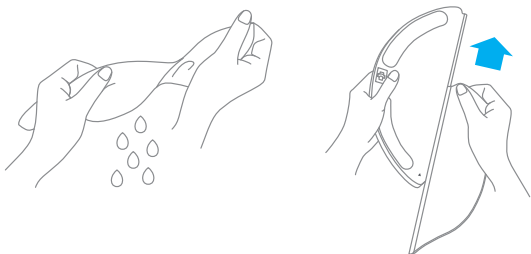
- Siga las instrucciones de la interfaz de la aplicación para usar más funciones.
- Puede que se haya actualizado la versión de la aplicación, siga las instrucciones de acuerdo con la versión actual.

## Modo de uso

### 9. Usar la función de fregado

Se recomienda aspirar todos los suelos al menos tres veces antes de la primera sesión de fregado para obtener un mejor resultado de limpieza.


1) Humedezca la mopa y haga que escurra el exceso de agua. Deslícela hasta el fondo de la ranura del depósito de agua hasta que quede bien colocada.

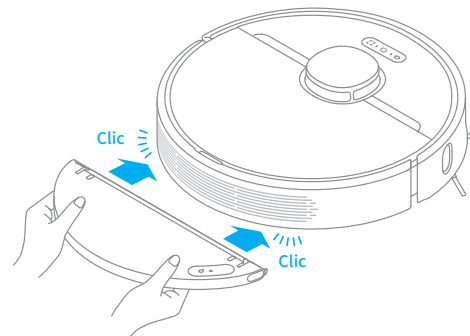


2) Abra la tapa del depósito de agua, rellene el depósito con agua y cierre la tapa de forma segura.



Nota: No utilice detergentes o desinfectantes no indicados.

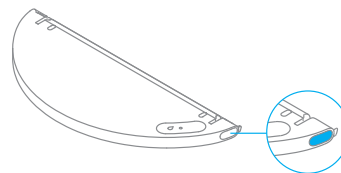
3) Inserte el módulo de fregado en paralelo, como indica la flecha, y deslícelo en la parte trasera del robot hasta que encaje. Pulse el botón , o puede utilizar la aplicación Mi Home/Xiaomi Home para empezar la limpieza.



Nota:

- No se recomienda usar la función de fregado en alfombras.
- No exponga el tanque directamente al sol.

4) Para quitar el depósito de agua, presione hacia adentro ambos lados y deslice el depósito hacia atrás para separarlo del robot.

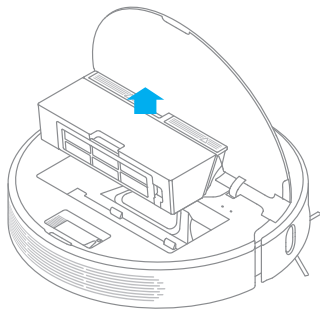


Nota: Cuando el robot esté cargándose o no esté en uso, extraiga el módulo de fregado, saque el agua que quede en el depósito y limpie la almohadilla de la mopa para evitar moho y olores persistentes.

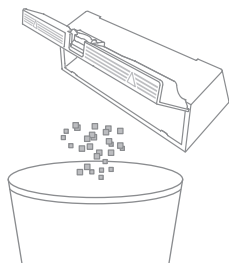
# Mantenimiento rutinario

## Contenedor de polvo y filtro

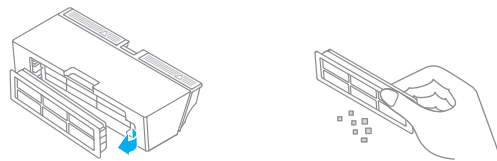
1. Abra la tapa del robot, apriete las pinzas del contenedor para retirar el contenedor de polvo.



2. Abra la tapa del contenedor como lo indica el diagrama.

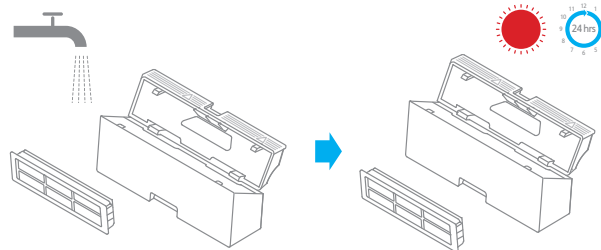


3. Retire el filtro, enjuague repetidamente y golpee suavemente el marco del filtro para eliminar la mayor cantidad de suciedad posible.



Nota: No intente limpiar el filtro con un cepillo ni con los dedos.

4. Lave el contenedor de polvo y el filtro con agua y luego apártelos para que se sequen por completo antes de instalarlos.



Nota:

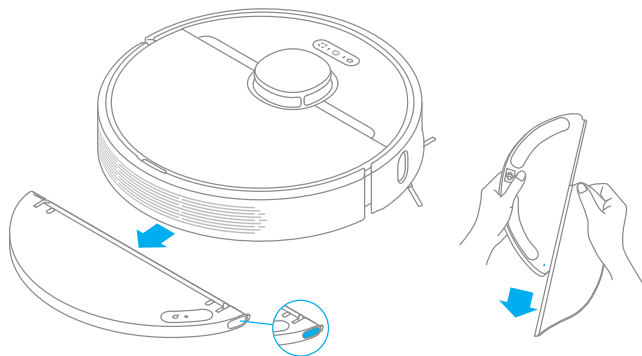
- Solo debe utilizar agua limpia para limpiar el filtro. No utilice detergente.
- El filtro debe estar totalmente seco antes de utilizarlo (espere unas 24 horas).



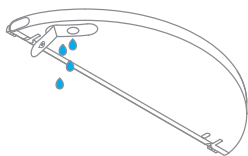
## Mantenimiento rutinario

### Limpiar el módulo de limpieza

1. Pulse las pinzas laterales del módulo de fregado y tire para extraer el módulo. Tire de la almohadilla de la mopa del módulo de fregado para extraerla.

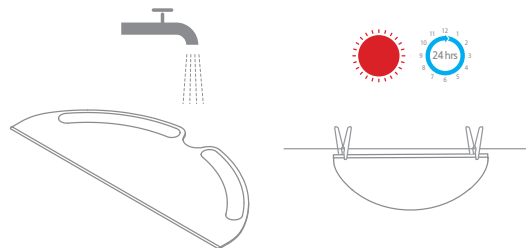


2. Vacíe el agua del tanque de agua. Limpie sólo con agua y deje secar al aire antes de volver a instalar.



Nota: No exponga el tanque directamente al sol.

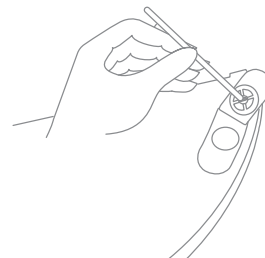
3. Limpie la mopa sólo con agua y deje secar al aire antes de volver a instalar.



Nota:

- Extraiga la mopa del módulo de fregado antes de limpiarla. Asegúrese de que el agua sucia no vuelva a entrar por la salida de agua para que no se obstruya.
- Para un rendimiento óptimo, recomendamos cambiar cada 3 o 6 meses.

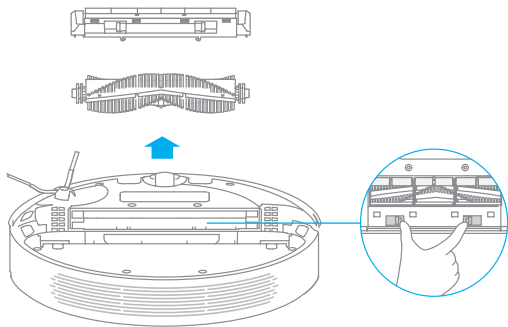
4. Si el flujo de agua es lento, o el volumen no está bien distribuido, limpie el orificio ventilador de la tapa del tanque de agua.



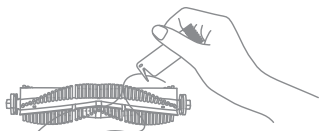
## Mantenimiento rutinario

### Limpiar el cepillo principal

Presione la cubierta del cepillo hacia dentro para retirar la cubierta de y élévelo para sacarlo del robot.



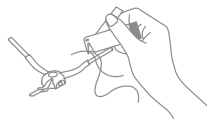
Utilice la herramienta de limpieza de cepillo incluida para eliminar los pelos enredados en el cepillo.



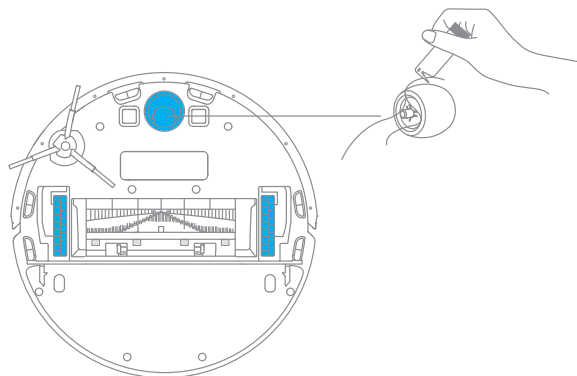
Nota: Si hay una gran cantidad de cabello o este está muy enredado, retírelo cuidadosamente para evitar dañar el cepillo principal.

### Limpiar el cepillo lateral

Saque los cepillos laterales y use la herramienta de limpieza incluida para quitar el cabello enredado en el cepillo.



### Limpiar la rueda principal y la rueda omnidireccional

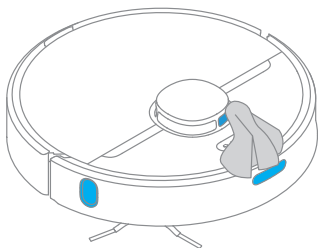


Nota: Use herramientas como un destornillador pequeño, etc. para separar el eje y el neumático.

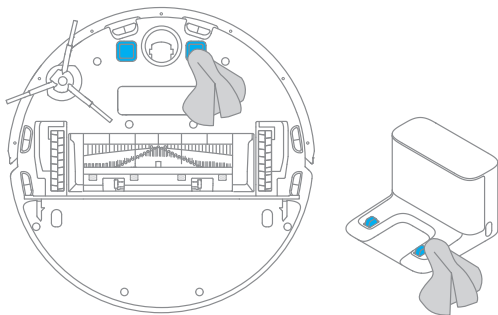
## Mantenimiento rutinario

Nota: Use un paño de cocina seco para limpiar, ya que el robot y la base de carga interna tienen elementos sensibles. No use un paño húmedo para evitar daños provocados por el agua.



### Limpiar el sensor LDS / Volver al sensor de carga / Sensor de borde



### Limpiar los contactos de carga



### Reinicio del robot

Si el robot deja de responder o no se puede apagar, mantenga pulsado el botón  durante 6 segundos para forzar el apagado. A continuación, mantenga pulsado el botón  durante 3 segundos para encender el robot.

### Batería

El robot contiene una batería de iones de litio de alto rendimiento. Asegúrese de que permanezca bien cargada durante el uso diario para que mantenga un rendimiento óptimo. Si el robot no se utiliza durante un largo periodo de tiempo, apáguelo y guárdelo. Para evitar daños por descarga, debería recargar el robot una vez cada tres meses.

## Preguntas Frecuentes

Tipo de problema	Solución
El robot no se enciende	El nivel de la batería es bajo. Recargue el robot en la base de carga y pruebe de nuevo. La temperatura ambiente es demasiado baja (por debajo de 0°C) o demasiado alta (por encima de 40°C). La temperatura de funcionamiento del robot es de 0°C a 40°C.
El robot no se recarga	La base de carga no está recibiendo energía. Por favor, confirme que ambos extremos del cable de alimentación están conectados correctamente. Fallo de contacto. Limpie el contacto de carga de la base de carga y el robot.
El robot no vuelve a la base de carga	Hay demasiados obstáculos alrededor de la base de carga. Coloque la base de carga en una zona más abierta y libre de obstáculos. Por favor, limpie el área de emisión de señal de la base de carga.
El robot no funciona adecuadamente	Apague el robot y vuelva a encenderlo.
El robot hace un ruido extraño	Un objeto extraño puede estar obstruyendo el cepillo principal, el cepillo lateral o alguna de las ruedas principales. Apague el robot y elimine la basura acumulada.
El robot no limpia de forma correcta o deja basura a su paso	El depósito de basura está lleno. Por favor, vacíelo. El filtro está bloqueado. Por favor, límpielo. Un objeto extraño está obstruyendo el cepillo principal. Por favor, límpielo.
El robot no se conecta al Wi-Fi	Hay algún problema con la conexión Wi-Fi. Reinicie el Wi-Fi, descargue la última versión de Mi Home/Xiaomi Home APP, e intente conectarlo de nuevo. El permiso de ubicación no está activado. Asegúrese de activar el permiso de ubicación en la aplicación Mi Home / Xiaomi Home. La señal Wi-Fi es débil. Asegúrese de que el robot se encuentra en una zona con una buena señal de Wi-Fi. No admite Wi-Fi de 5GHz. Asegúrese de conectar su robot a una red Wi-Fi de 2,4GHz. Nombre de usuario o contraseña del Wi-Fi incorrectos. Asegúrese de introducir el nombre de usuario y la contraseña correctos.
El robot no realiza la limpieza programada	El robot tiene la batería baja. La limpieza programada no comenzará si el robot no tiene al menos un 15% de batería restante.

## Preguntas Frecuentes

Tipo de problema	Solución
¿Dejar el robot en la base de carga una vez que está completamente cargado consume energía?	Dejar el robot en la base de carga tras haber completado la carga de la batería consume muy poca electricidad y ayuda a mantener un funcionamiento óptimo de la batería.
¿Necesitamos cargar el robot durante 16 horas las tres primeras veces que lo usemos?	Las baterías de litio no sufren efectos de memoria, por lo que no es necesario cargar durante 16 horas el robot antes de usarlo.
No sale agua del módulo de fregado o sólo sale un poco de agua.	Compruebe que el depósito de agua está lleno de agua y limpie la mopa si es necesario. Limpie la mopa si está sucia. Compruebe que la mopa está colocada correctamente, de acuerdo con el manual. Limpie el orificio del tanque de agua.
El robot no vuelve a la base de carga después de ser movido.	Mover el robot puede hacer que se reubique o vuelva a mapear sus alrededores. Si el robot está demasiado lejos de la base de carga, puede que no sea capaz de volver automáticamente por sí mismo, en cuyo caso es necesario colocar manualmente el robot en el puerto de carga.

# Especificaciones

## Robot

Modelo	RLS5-WH1
Batería	5200 mAh(Potencia máxima de salida)
Conexión inalámbrica	Wi-Fi IEEE 802.11b/g/n 2.4 GHz
Tensión nominal	14,4 V ---
Potencia nominal	40 W
Frecuencia de operación	2400-2483,5 MHz
Potencia máxima de salida	<20 dBm

## Puerto de carga

Modelo	RCS0
Entrada nominal	100-240 V ~ 50/60 Hz 0,5 A
Salida nominal	19,8 V --- 1 A

En condiciones normales de uso, este equipo debe mantenerse a una distancia de, al menos, 20 cm entre la antena y el cuerpo del usuario.



For further information, please visit [www.dreame-technology.com](http://www.dreame-technology.com)  
Manufactured by: Dreame Trading (Tianjin) Co., Ltd.  
Made in China