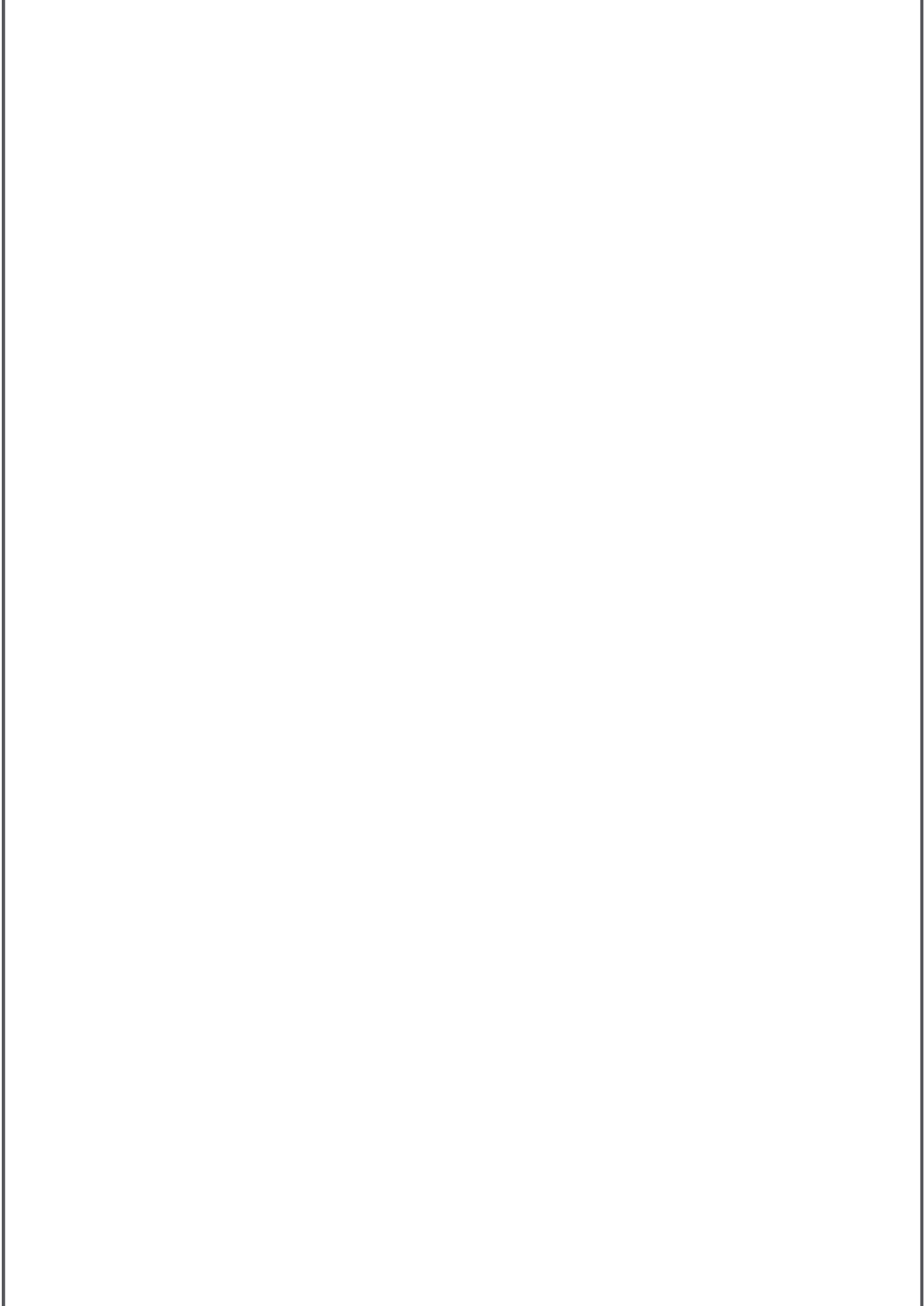


Aqara

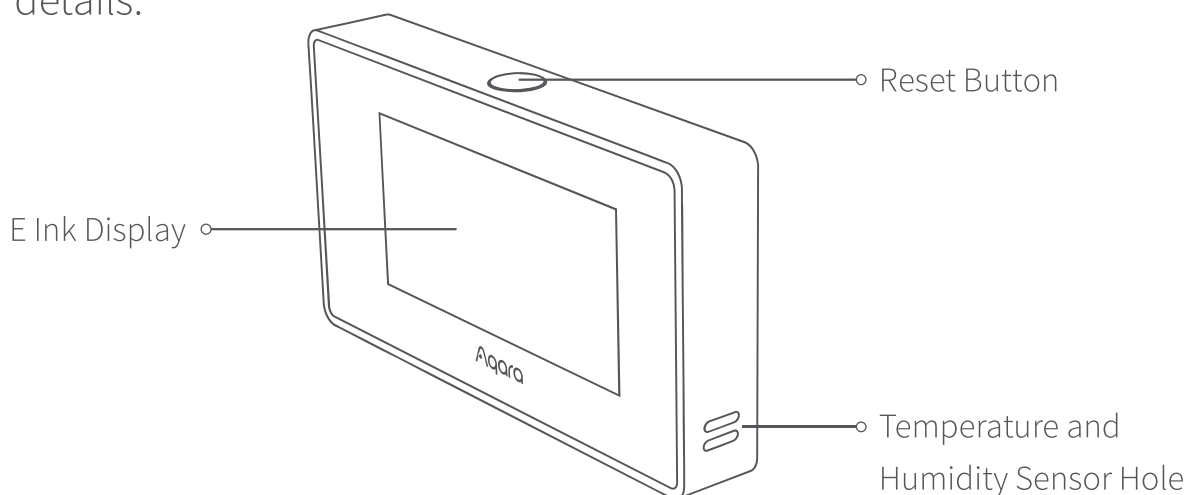


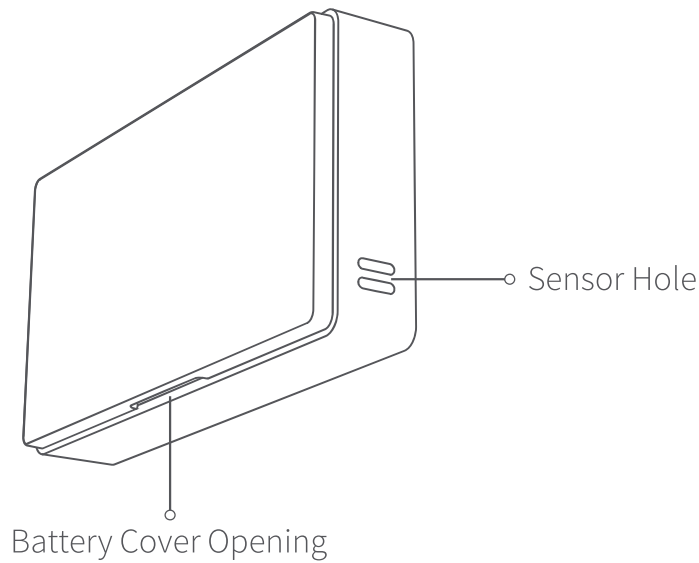
TVOC Air Quality Monitor Manual	·01
Manuale del monitor di qualità dell'aria TVOC	·13
Handbuch zur TVOC Luftqualitäts-Monitor	·22
Manuel de l'utilisateur du Moniteur de qualité de l'air TVOC	·31
Manuel de Instrucciones del Monitor de calidad del aire TVOC	·41
Монитор качества воздуха TVOC: Руководство по эксплуатации	·50
TVOC空氣健康伴侶使用說明書	·58

Product Introduction

The Aqara TVOC Air Quality Monitor can detect the concentration and level of TVOC in the air, as well as temperature and humidity. After it is bound with a hub, it can use TVOC concentration or level, temperature, and humidity changes as conditions of automation, work with other smart home devices to implement various smart scenarios, and send notifications to your mobile phone.

- * TVOC: Total Volatile Organic Compounds, organic compounds whose saturated vapor pressure exceeds 133.32 Pa at room temperature. Its boiling point is between 50°C and 250°C. It can evaporate in the air at room temperature. Its toxicity, irritation, carcinogenicity and smell will affect the skin and mucous membranes and cause acute damage to the human body.
- * An Aqara Zigbee 3.0 Hub is required. Some functions require specific models of hubs. See www.aqara.com/support for more details.





Quick Setup

Add Device

1. Before activating the accessory, please make sure you have the Aqara Home app downloaded and the Aqara Hub installed.
 2. Please open the app, tap “Home” and then tap “+” in the top right corner to enter the “Add Device (Accessory)” page. Select “TVOC Air Quality Monitor” and add it according to instructions in the Aqara Home app.
 3. Please see www.aqara.com/support for more support.
- * If adding fails, please move the hub closer to the product and try again.

Network Icon (Sensor Display)

“Searching for network”icon: 

“Connected to network”icon: 

The network icon will not be displayed when the device is offline and not in the searching state.

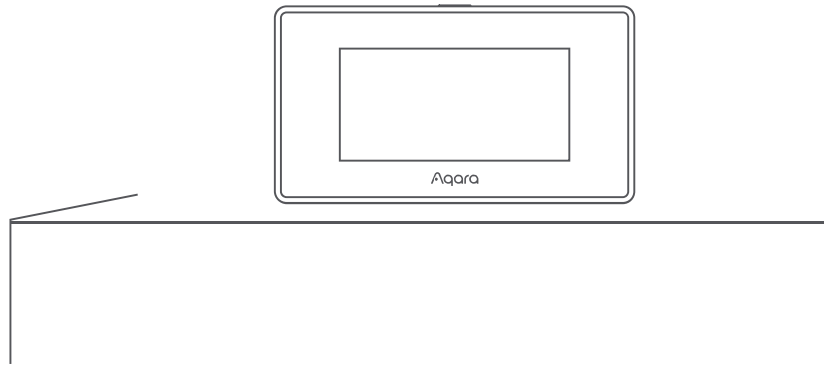
Page Switching

Double click the sensor button to switch between multiple pages.

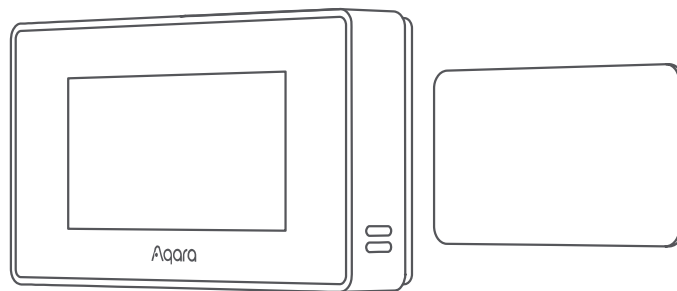
Installation Method

Effective Range Test: After it is bound with the hub, put the device at the preferred installation location and click the reset button of the device. If the hub makes voice prompts, it indicates that the accessory can communicate effectively with the hub.

Method 1: Place it directly on the desktop or other preferred places without adhesive.

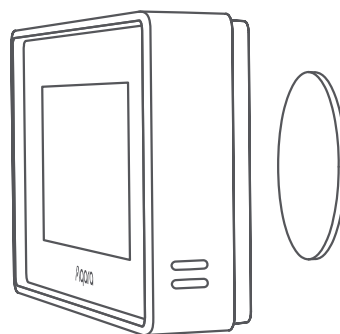


Method 2: Paste on a preferred place with adhesive.



* Please make sure the surface of the pasting location is clean and dry.

Method 3: Paste on the surface of steel materials with a magnetic sticker.



Specifications

Model: AAQS-S01

Dimensions: 41.6 × 76.0 × 14 mm(1.64 × 2.99 × 0.55 inch)

Wireless Protocol: Zigbee 3.0

Battery Model: CR2450 × 2

Operating Temperature: 0 °C ~ +50 °C

Operating Humidity: 0~95% RH, no condensation

TVOC Detection Range: 0~25mg/m³

Temperature Detection Range: 0 ~ 50 °C

Humidity Detection Range: 0 ~ 100% RH

Zigbee Operation Frequency: 2405-2480 MHz

Zigbee Maximum Output Power ≤ 13 dBm

Warnings

1. This product is not a toy, please keep children away from this product.
2. This product is designed for indoor use only.
3. Do not place this product near a heat source.
4. Do not attempt to repair the product by yourself. All repairs should be performed by authorized personnel.

5. This product is designed only for improving the convenience of household life, and for status notifications. If the user violates the product instructions and this warning, the manufacturer is not responsible for any risks and property losses caused thereby.

Online Customer Service: www.aqara.com/support

Email: support@aqara.com

Manufacturer: Lumi United Technology Co., Ltd.

Address: 8th Floor, JinQi Wisdom Valley, No.1 Tangling Road, Liuxian Ave, Taoyuan Residential District, Nanshan District, Shenzhen, China

EU Declaration of Conformity

Hereby, [Lumi United Technology Co., Ltd.] declares that the radio equipment type [TVOC Air Quality Monitor, AAQS-S01] is in compliance with Directive 2014/53/EU. The full text of the EU declaration of conformity is available at the following internet address: <http://www.aqara.com/DoC/>



CAUTION

Risk of explosion if the battery is replaced by an incorrect type.

Dispose of used batteries according to the instructions.

Do not ingest battery, Chemical Burn Hazard.

This product contains a coin / button cell battery. If the coin / button cell battery is swallowed, it can cause severe internal burns in just 2 hours and can lead to death.

Keep new and used batteries away from children.

If the battery compartment does not close securely, stop using the product and keep it away from children.

If you think batteries might have been swallowed or placed inside any part of the body, seek immediate medical attention.

Disposal of a battery into fire or a hot oven, or mechanically crushing or cutting of a battery, that can result in an explosion

Leaving a battery in an extremely high temperature surrounding environment that can result in an explosion or the leakage of flammable liquid or gas

A battery subjected to extremely low air pressure that may result in an explosion or the leakage of flammable liquid or gas

The equipment is only suitable for mounting at heights ≤ 2 m.



WEEE Disposal and Recycling Information

All products bearing this symbol are waste electrical and electronic equipment (WEEE as in directive 2012/19/EU) which should not be mixed with unsorted household waste. Instead, you should protect human health and the environment by handing over your waste equipment to a designated collection point for the recycling of waste electrical and electronic equipment, appointed by the government or local authorities. Correct disposal and recycling will help prevent potential negative consequences to the environment and human health. Please contact the installer or local authorities for more information about the location as well as terms and conditions of such collection points.



Symbol on the product or on its packaging indicates that this product may not be treated as household waste. Instead it shall be handed over to the applicable collection point for the recycling of electrical and electronic equipment.

FCC ID:2AKIT-AAQS-S01

Federal Communications Commission (FCC)

compliance statement:

1.This device complies with part 15 of the FCC Rules.

Operation is subject to the following two conditions:

(1) This device may not cause harmful interference, and
(2) this device must accept any interference received, including interference that may cause undesired operation.

2.Changes or modifications not expressly approved by the party responsible for compliance could void the user's authority to operate the equipment.

Note: This equipment has been tested and found to comply with the limits for a Class B digital device, pursuant to part 15 of the FCC Rules. These limits are designed to provide reasonable protection against harmful interference in a residential installation.

This equipment generates, uses and can radiate radio frequency energy and, if not installed and used in accordance with the instructions, may cause harmful interference to radio communications. However, there is no guarantee that interference will not occur in a particular installation. If this equipment does cause harmful interference to radio or television reception, which can be determined by turning the equipment off and on, the user is encouraged to try to correct the interference by one or more of the following measures:

- Reorient or relocate the receiving antenna.
- Increase the separation between the equipment and receiver.
- Connect the equipment into an outlet on a circuit different from that to which the receiver is connected.
- Consult the dealer or an experienced radio/TV technician for help.

RF Exposure statement:

This equipment complies with FCC radiation exposure limits set forth for an uncontrolled environment. This equipment should be installed and operated with

minimum distance of 20 cm between the radiator and your body. This transmitter must not be co-located or operating in conjunction with any other antenna or transmitter.

IC:22635-AAQSS01

IC NOTICE TO CANADIAN USERS

This device contains license-exempt transmitter(s)/receiver(s) that comply with Innovation, Science and Economic Development Canada's license-exempt RSS(s). Operation is subject to the following two conditions:

- (1) This device may not cause interference.
- (2) This device must accept any interference, including interference that may cause undesired operation of the device.

This Class B digital apparatus complies with Canadian ICES - 003.

This device complies with RSS - 247 of Industry Canada. Operation is subject to the condition that this device does not cause harmful interference.

This equipment complies with IC radiation exposure

limits set forth for an uncontrolled environment. This equipment should be installed and operated with minimum distance of 20 cm between the radiator and your body. This transmitter must not be co-located or operating in conjunction with any other antenna or transmitter.

Under normal use of condition, this equipment should be kept a separation distance of at least 20cm between the antenna and the body of the user.

UK UK Declaration of Conformity

CA Hereby, [Lumi United Technology Co., Ltd]

declares that the radio

equipment type [TVOC Air Quality Monitor, AAQS-S01]

is in compliance with Directive 2017 (SI 2017 No. 1206, as amended by SI 2019 No. 696).

The full text of the UK declaration of conformity is available at the following internet address:

<http://www.aqara.com/DoC/>.