

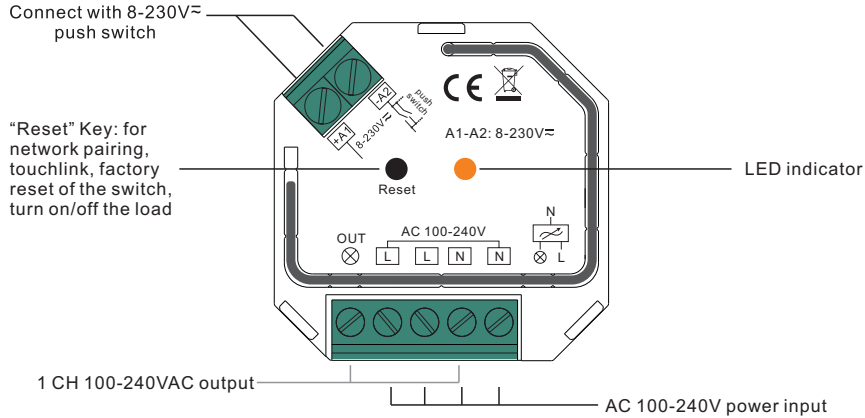
# AC ZigBee In-wall Switch

09.ZG09SAP.04736



**Important:** Read All Instructions Prior to Installation

## Function introduction



- ZigBee in-wall switch based on latest ZigBee 3.0 protocol
- 100-240VAC Wide Input and Output Voltage
- Supports resistive loads and capacitive loads
- 1 Channel Output, Up to 400W
- Input and Output with Screw Terminals, Safe and Reliable
- Enables to control ON/OFF of connected load
- ZigBee end device that supports Touchlink commissioning
- Can directly pair to a compatible ZigBee remote via Touchlink without coordinator
- Supports self-forming zigbee network without coordinator and add other devices to the network
- Supports find and bind mode to bind a ZigBee remote
- Supports zigbee green power and can bind max. 20 zigbee green power remotes
- Compatible with universal ZigBee gateway products
- Can be controlled by universal 8-230V input single wire push switch
- Mini Size, Easy to be Installed into a standard 86\*86mm wall box
- Radio Frequency : 2.4GHz
- Waterproof grade: IP20

## Safety & Warnings

- DO NOT install with power applied to device.
- DO NOT expose the device to moisture.

ZigBee Clusters the device supports are as follows:

### Input Clusters

0x0000: Basic    0x0003: Identify    0x0004: Groups    0x0005: Scenes    0x0006: On/off  
0x0b05: Diagnostics

### Output Clusters

0x0019: OTA

## Operation

**1. Do wiring according to connection diagram correctly.**

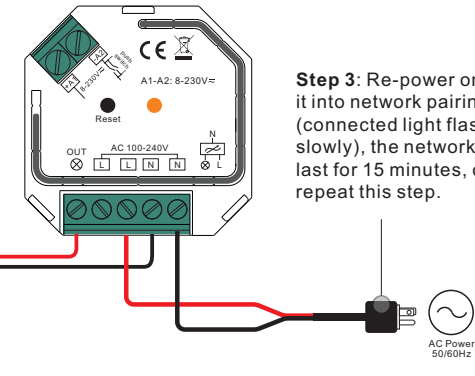
**2. This ZigBee device is a wireless receiver that communicates with a variety of ZigBee compatible systems. This receiver receives and is controlled by wireless radio signals from the compatible ZigBee system.**

### 3. Zigbee Network Pairing through Coordinator or Hub (Added to a Zigbee Network)

**Step 1:** Remove the device from previous zigbee network if it has already been added to, otherwise pairing will fail. Please refer to the part "**Factory Reset Manually**".

**Step 2:** From your ZigBee Controller or hub interface, choose to add lighting device and enter Pairing mode as instructed by the controller.

**Step 4:** Connected light will blink 5 times and then stay solid on, then the device will appear in your controller's menu and can be controlled through controller or hub interface.



**Step 3:** Re-power on the device to set it into network pairing mode (connected light flashes twice slowly), the network pairing mode will last for 15 minutes, once timeout, repeat this step.

## Product Data

Input Voltage	Output Voltage	Output Current	Size(LxWxH)
100-240VAC	100-240VAC	1.5A max	45.5x45x20.3mm

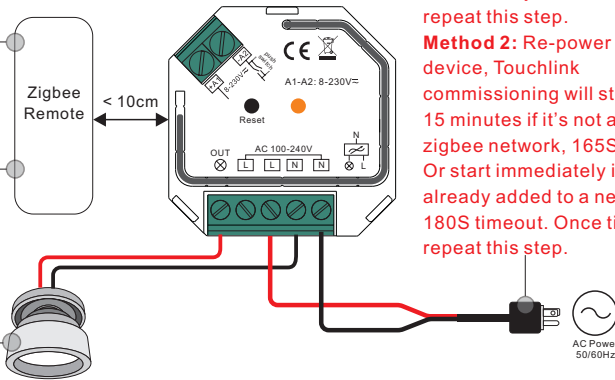
Compatible Load Types			
Load Symbol	Load Type	Maximum Load	Remarks
	LED lamps with transformers	200W @ 220V 100W @ 110V	Due to variety of LED lamp designs, maximum number of LED lamps is further dependent on power factor result when connected to switch.
	LED drivers	200W @ 220V 100W @ 110V	Maximum permitted number of drivers is 200W divided by driver nameplate power rating.
	Incandescent lighting, HV Halogen lamps	400W @ 220V 200W @ 110V	
	Low voltage halogen lighting with electronic transformers	200W @ 220V 100W @ 110V	

#### 4. TouchLink to a Zigbee Remote

**Step 2:** Bring the remote or touch panel within 10cm of the lighting device.

**Step 3:** Set the remote or touch panel into Touchlink commissioning, please refer to corresponding remote or touch panel manual to learn how.

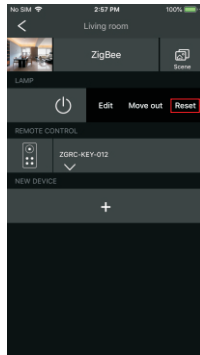
**Step 4:** There shall be indication on the remote for successful link and connected light will flash twice.



**Step 1: Method 1:** Short press "Reset" button (or re-power on the device) 4 times to start Touchlink commissioning immediately, 180S timeout, repeat this step.  
**Method 2:** Re-power on the device, Touchlink commissioning will start after 15 minutes if it's not added to a zigbee network, 165S timeout. Or start immediately if it's already added to a network, 180S timeout. Once timeout, repeat this step.

- Note:**
- 1) Directly TouchLink (both not added to a ZigBee network), each device can link with 1 remote.
  - 2) TouchLink after both added to a ZigBee network, each device can link with max. 30 remotes.
  - 3) For Hue Bridge & Amazon Echo Plus, add remote and device to network first then TouchLink.
  - 4) After TouchLink, the device can be controlled by the linked remotes.

#### 5. Removed from a Zigbee Network through Coordinator or Hub Interface



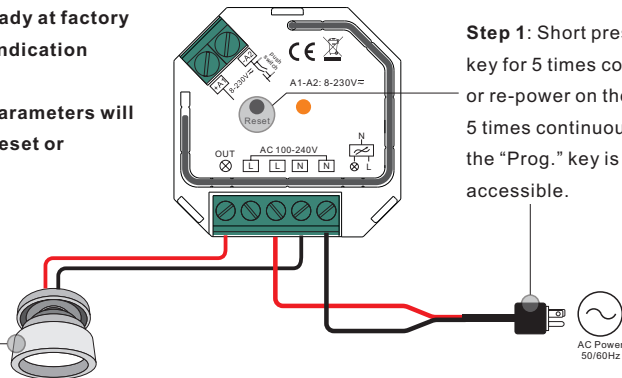
From your ZigBee controller or hub interface, choose to delete or reset the lighting device as instructed. The connected light blinks 3 times to indicate successful reset.

#### 6. Factory Reset Manually

**Note:** 1) If the device is already at factory default setting, there is no indication when factory reset again .

2) All configuration parameters will be reset after the device is reset or removed from the network.

**Step 2:** Connected light will blink 3 times to indicate successful reset.



**Step 1:** Short press "Reset." key for 5 times continuously or re-power on the device for 5 times continuously if the "Prog." key is not accessible.

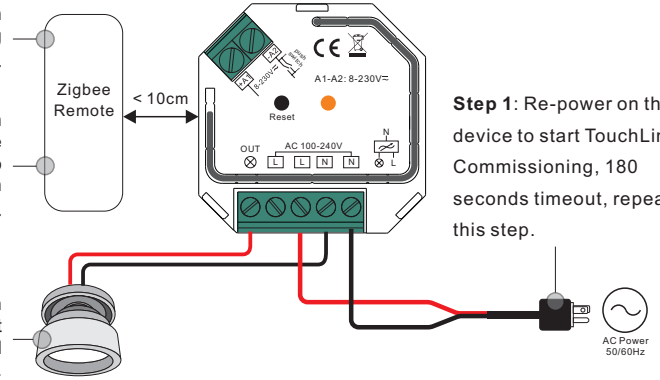
#### 7. Factory Reset through a Zigbee Remote (Touch Reset)

**Note:** Make sure the device already added to a network, the remote added to the same one or not added to any network.

**Step 2:** Bring the remote or touch panel within 10cm of the lighting device.

**Step 3:** Set the remote or touch panel into Touch Reset procedure to reset the device, please refer to corresponding remote or touch panel manual to learn how.

**Step 4:** There shall be indication on the remote and connected light flashes 3 times for successful reset.



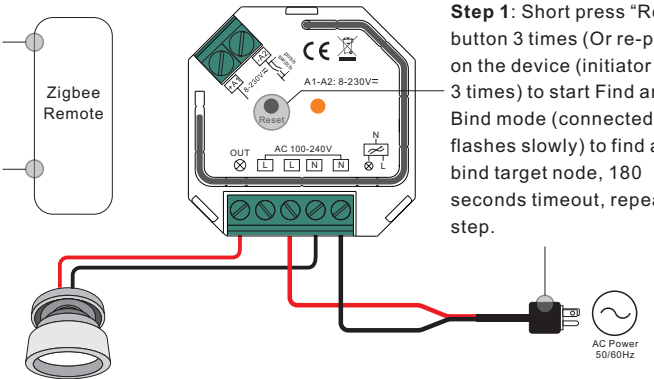
**Step 1:** Re-power on the device to start TouchLink Commissioning, 180 seconds timeout, repeat this step.

#### 8. Find and Bind Mode

**Note:** Make sure the device and remote already added to the same zigbee network.

**Step 2:** Set the remote or touch panel (target node) into find and bind mode, and enable it to find and bind initiator, please refer to corresponding remote or touch panel manual.

**Step 3:** There shall be indication on the remote or touch panel that it bind the device successfully and can control it then.

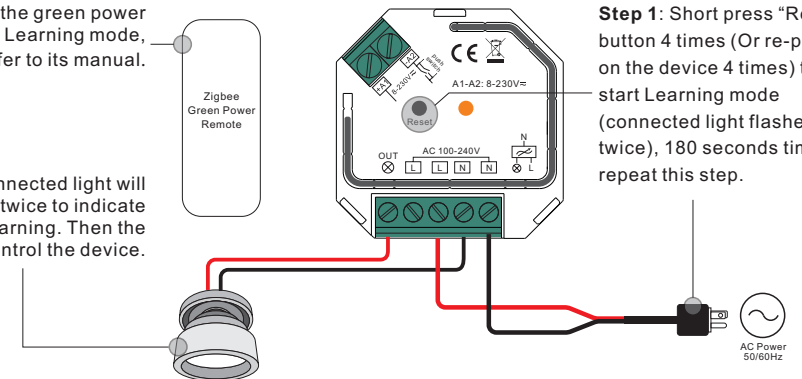


**Step 1:** Short press "Reset." button 3 times (Or re-power on the device (initiator node) 3 times) to start Find and Bind mode (connected light flashes slowly) to find and bind target node, 180 seconds timeout, repeat this step.

#### 9. Learning to a Zigbee Green Power Remote

**Step 2:** Set the green power remote into Learning mode, please refer to its manual.

**Step 3:** Connected light will flash twice to indicate successful learning. Then the remote can control the device.



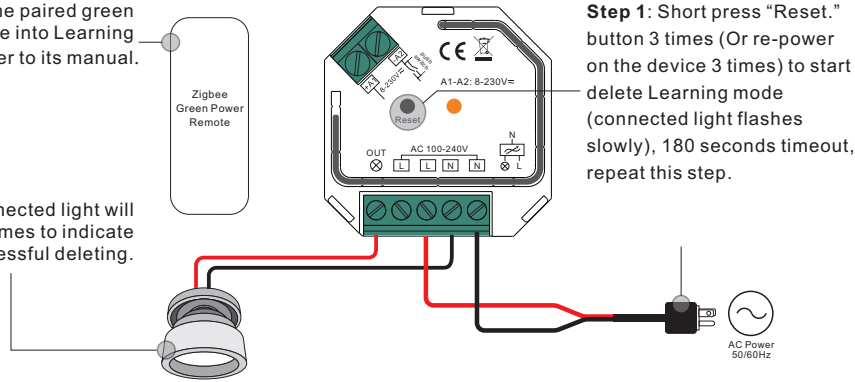
**Step 1:** Short press "Reset." button 4 times (Or re-power on the device 4 times) to start Learning mode (connected light flashes twice), 180 seconds timeout, repeat this step.

**Note:** Each device can learn to max. 20 zigbee green power remote.

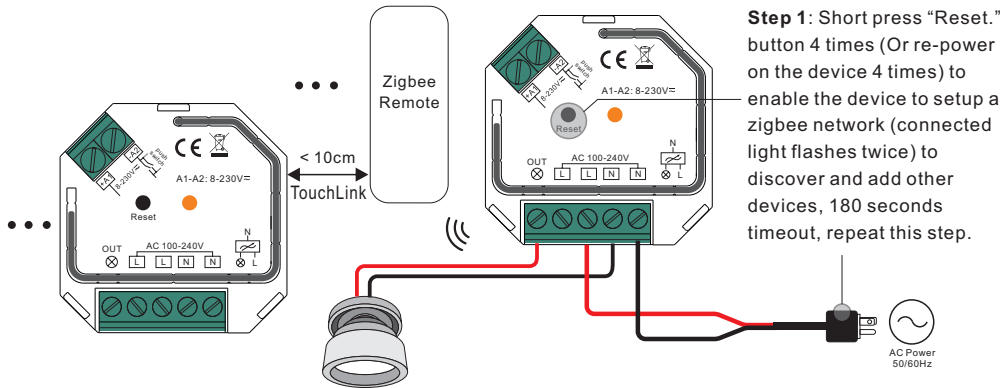
## 10. Delete Learning to a Zigbee Green Power Remote

**Step 2:** Set the paired green power remote into Learning mode, please refer to its manual.

**Step 3:** Connected light will flash 4 times to indicate successful deleting.



## 11. Setup a Zigbee Network & Add Other Devices to the Network (No Coordinator Required)



**Step 2:** Set another device or remote or touch panel into network pairing mode and pair to the network, refer to their manuals.

**Step 3:** Pair more devices and remotes to the network as you would like, refer to their manuals.

**Step 4:** Bind the added devices and remotes through Touchlink so that the devices can be controlled by the remotes, refer to their manuals.

**Note: 1)** Each added device can link and be controlled by max. 30 added remotes.

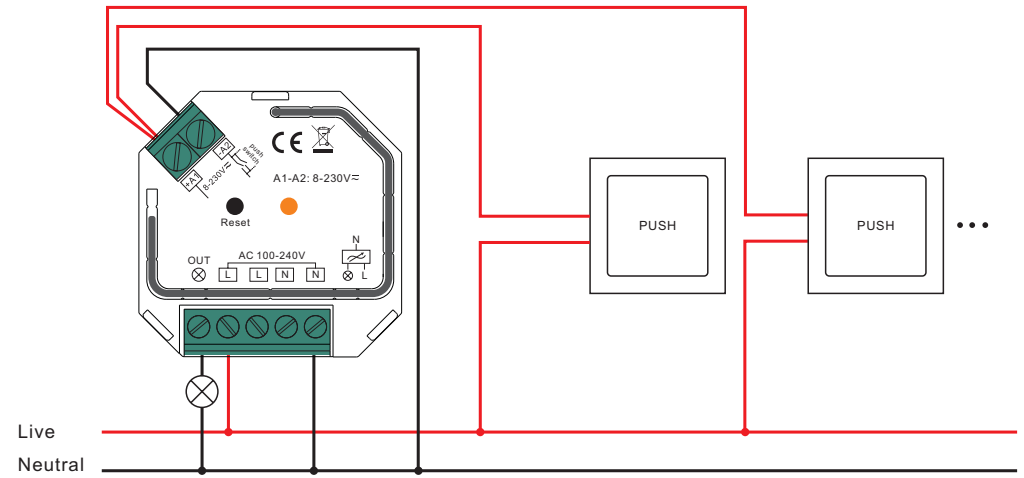
**2)** Each added remote can link and control max. 30 added devices.

## 12. OTA

The device supports firmware updating through OTA, and will acquire new firmware from zigbee controller or hub every 10 minutes automatically.

## Wiring Diagram

(1) With Push



(2) With Push LV

